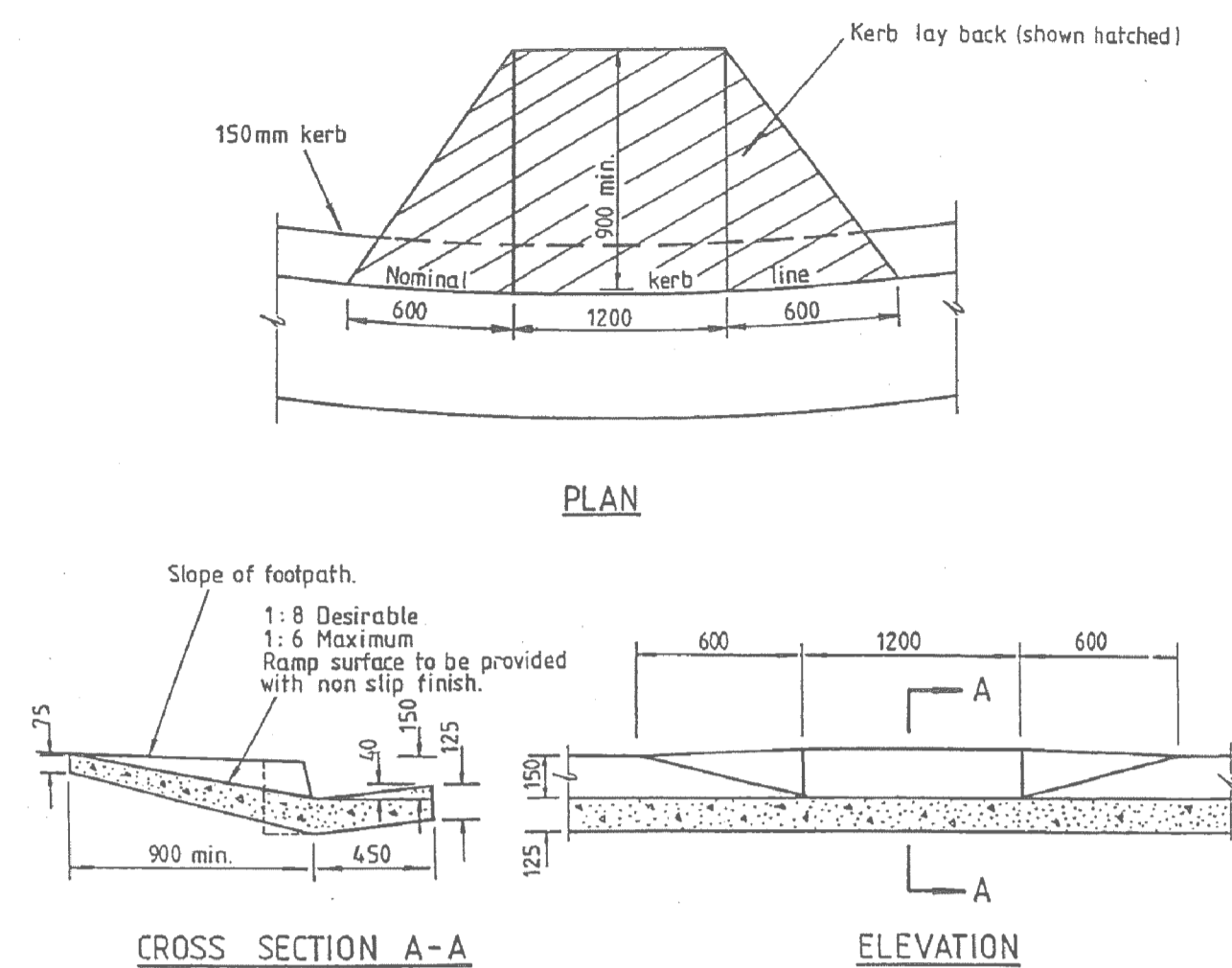


PUBLIC CIVIL WORKS

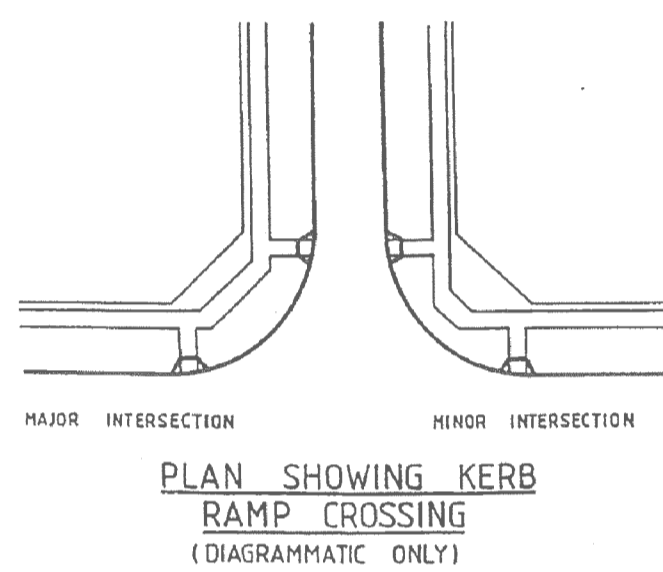
APPENDIX

STANDARD KERB RAMP



NOTES:

1. Kerb ramps shall be constructed at all road intersections and in front of pathways. Where the specified construction of the road kerb height varies from the 150mm dimension shown on this drawing the depth of the kerb ramp into the footpath shall be adjusted from the 900mm minimum to a minimum depth of six (6) times the specified kerb height.
2. Kerb ramps to be laid on a well compacted fine crushed rock base minimum thickness 50mm.
3. Concrete to be of 25 MPa compressive strength (F_c) at 28 days.



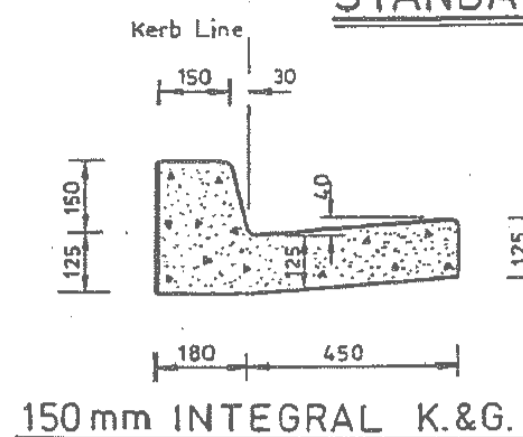
PLAN SHOWING KERB RAMP CROSSING (DIAGRAMMATIC ONLY)

PLAN N° M 388 c

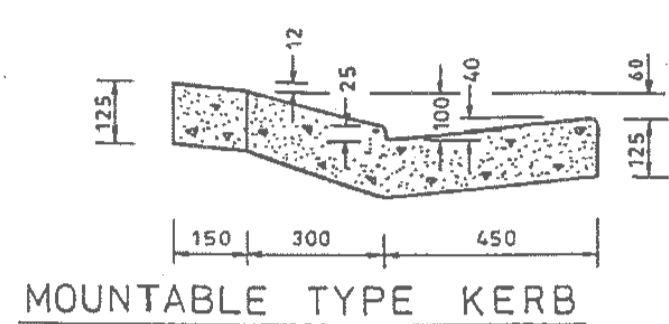
PUBLIC CIVIL WORKS

APPENDIX

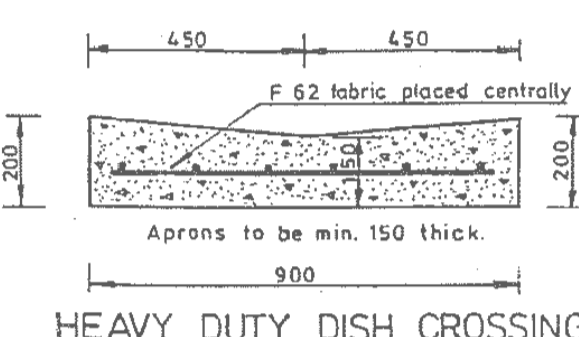
STANDARD KERBS & GUTTERS



150mm INTEGRAL K&G



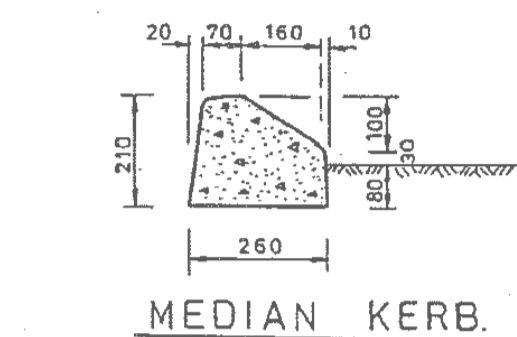
MOUNTABLE TYPE KERB



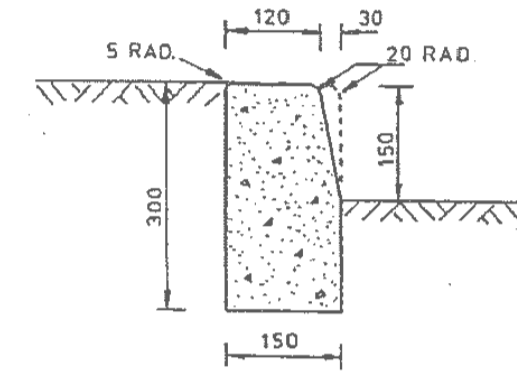
HEAVY DUTY DISH CROSSING

NOTES:

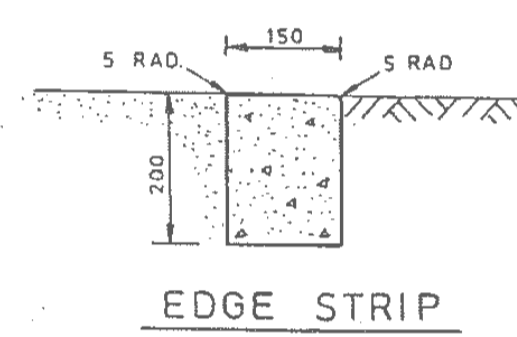
1. All corners to have 25 radius.
2. Kerb on returns, Circles and Cul-de-Sacs to have vertical faces.
3. Heavy duty gutter crossings to be 150 thick and reinforced with one layer F 62 Fabric
4. Gutter Crossings in roads carrying industrial traffic to be 150 thick at the outer edge
5. Compression strength of concrete to be not less than 25mpa. at 28 days.
6. The road base course is to be extended beneath the kerb and gutter.
7. Mastic expansion joints to be placed at no more than 6m and not less than 4m intervals.
8. For complete details see Councils full specification N° 4
9. This plan replaces Councils previous standards plan Nos M85, M185, M224 and M4C5



MEDIAN KERB



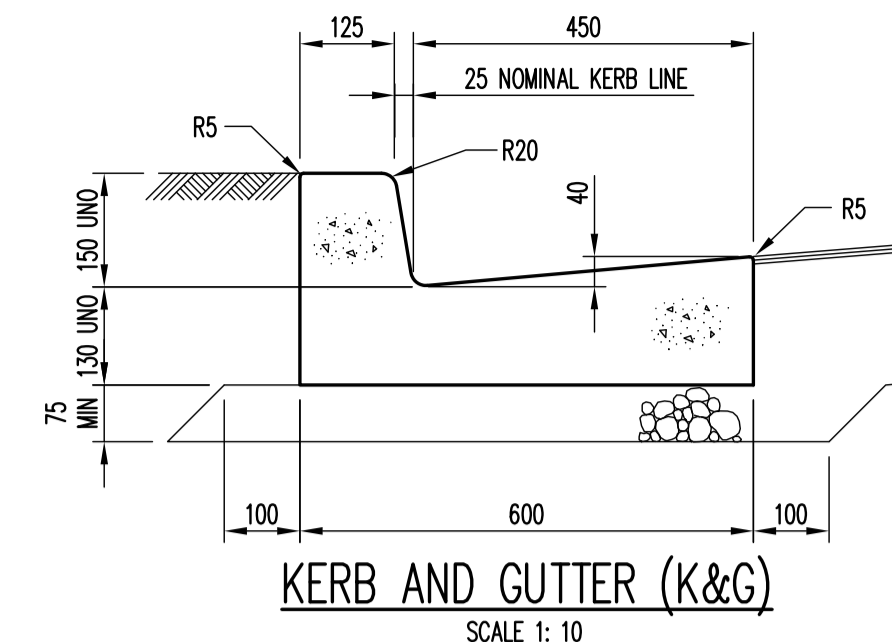
KERB ONLY



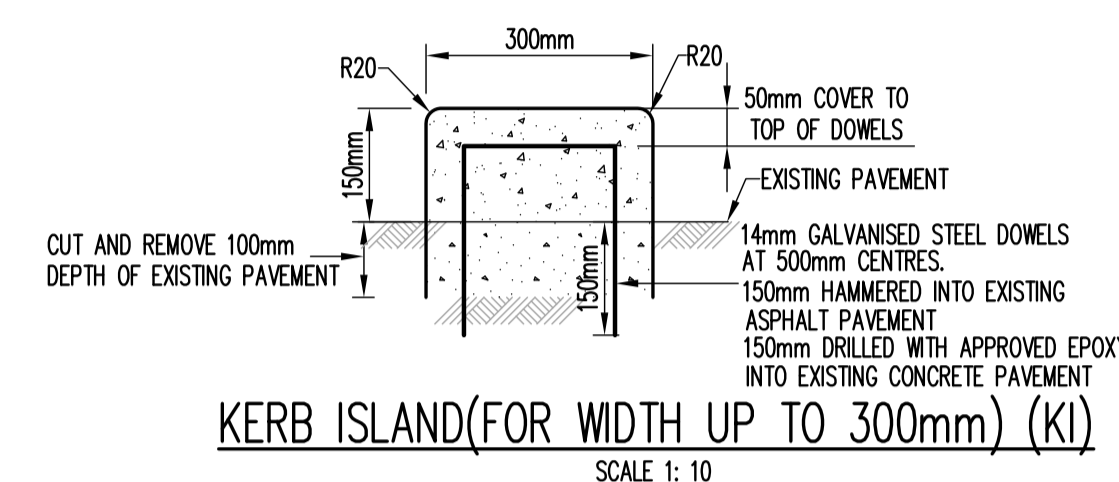
EDGE STRIP

10. Where conduits are placed prior to kerb construction the face of kerb shall be marked as required in specification N° 3.

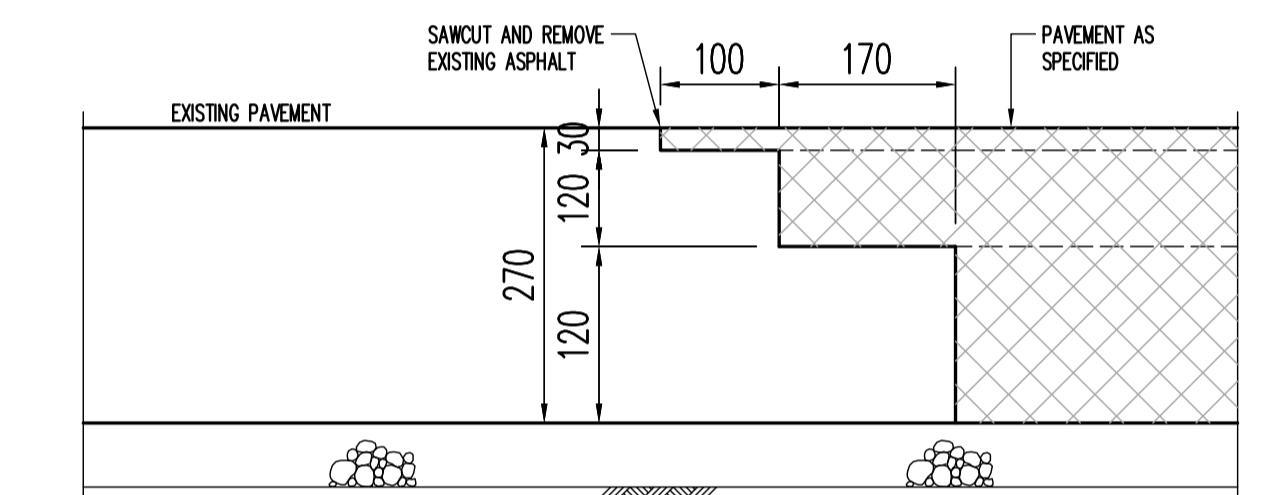
M. 422



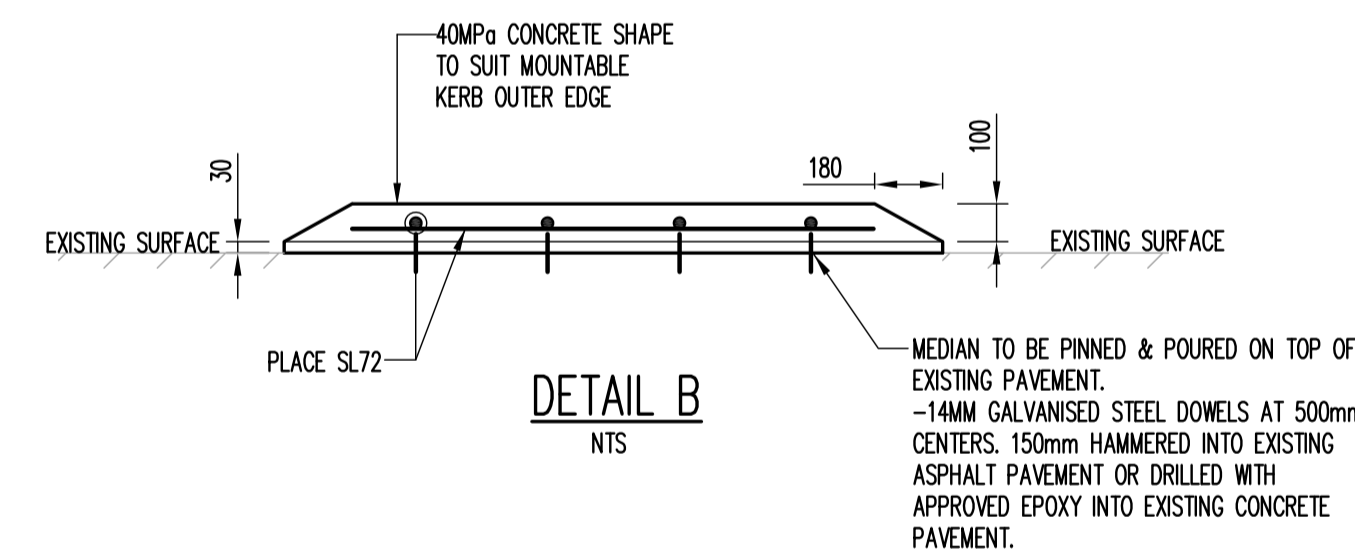
KERB AND GUTTER (K&G) SCALE 1: 10



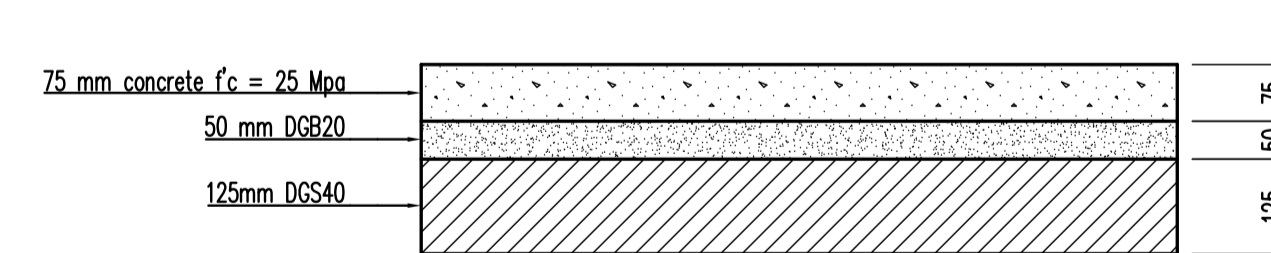
KERB ISLAND (FOR WIDTH UP TO 300mm) (KI) SCALE 1: 10



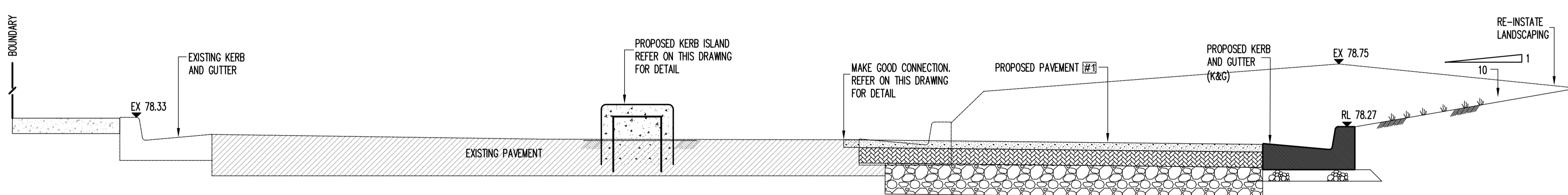
TYPICAL DETAIL OF MAKING GOOD ROAD PAVEMENT WITH EXISTING PAVEMENT SCALE 1: NTS



DETAIL B NTS



FOOTPATH PAVEMENT DETAIL SCALE 1: 20



SECTION 1 SCALE 1:20 C301

Filename: C702.dwg - USER: nemesis - Plot File Created: Jun 02, 2009 - 3:05pm

Rev	Description	Eng	Draft	Date
P1	ISSUE FOR APPROVAL	NB	JW	02.06.09

Client
MACQUARIE UNIVERSITY
 OFFICE OF MAJOR PROJECTS
 SYDNEY NSW 2109
 PH: 9850 7111
 UNIVERSITY - SYDNEY

Project Manager
DEFINITY GROUP
 PO BOX 3054
 BELLEVUE HILL NSW 2023
 PH: (02) 8354 1822

TaylorThomsonWhitting
 Consulting Engineers
 48 Chandos Street St Leonards NSW 2065
 T: +61 2 9439 7288 F: +61 2 9439 3146 ttw@ttw.com.au
 Taylor Thomson Whitting (NSW) Pty Ltd A.C.N. 113 578 377

Project
TRAFFIC MANAGEMENT WORKS
BALACLAVA RD

Sheet Subject
DETAIL SHEET

PRELIMINARY

Scale	A1	Drawn	JW	Authorised	
NO SCALE					
Job No	071628	Drawing No	C702	Revision	P1
Plot File Created: Jun 02, 2009 - 3:05pm					