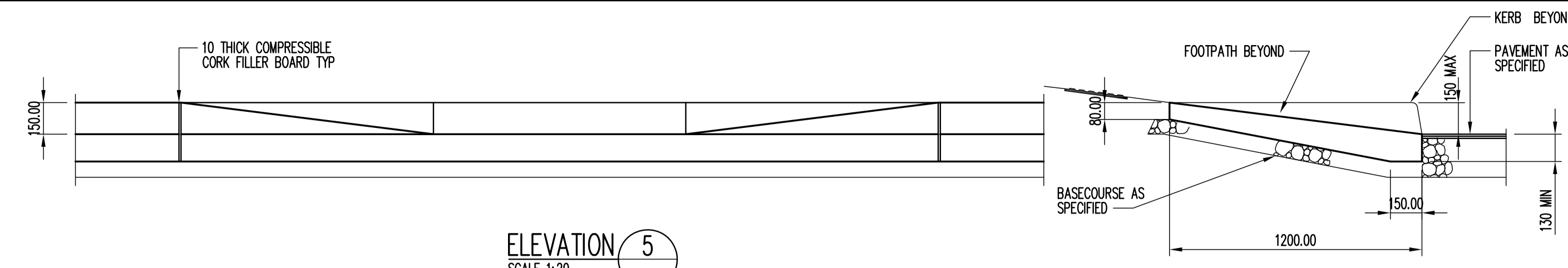
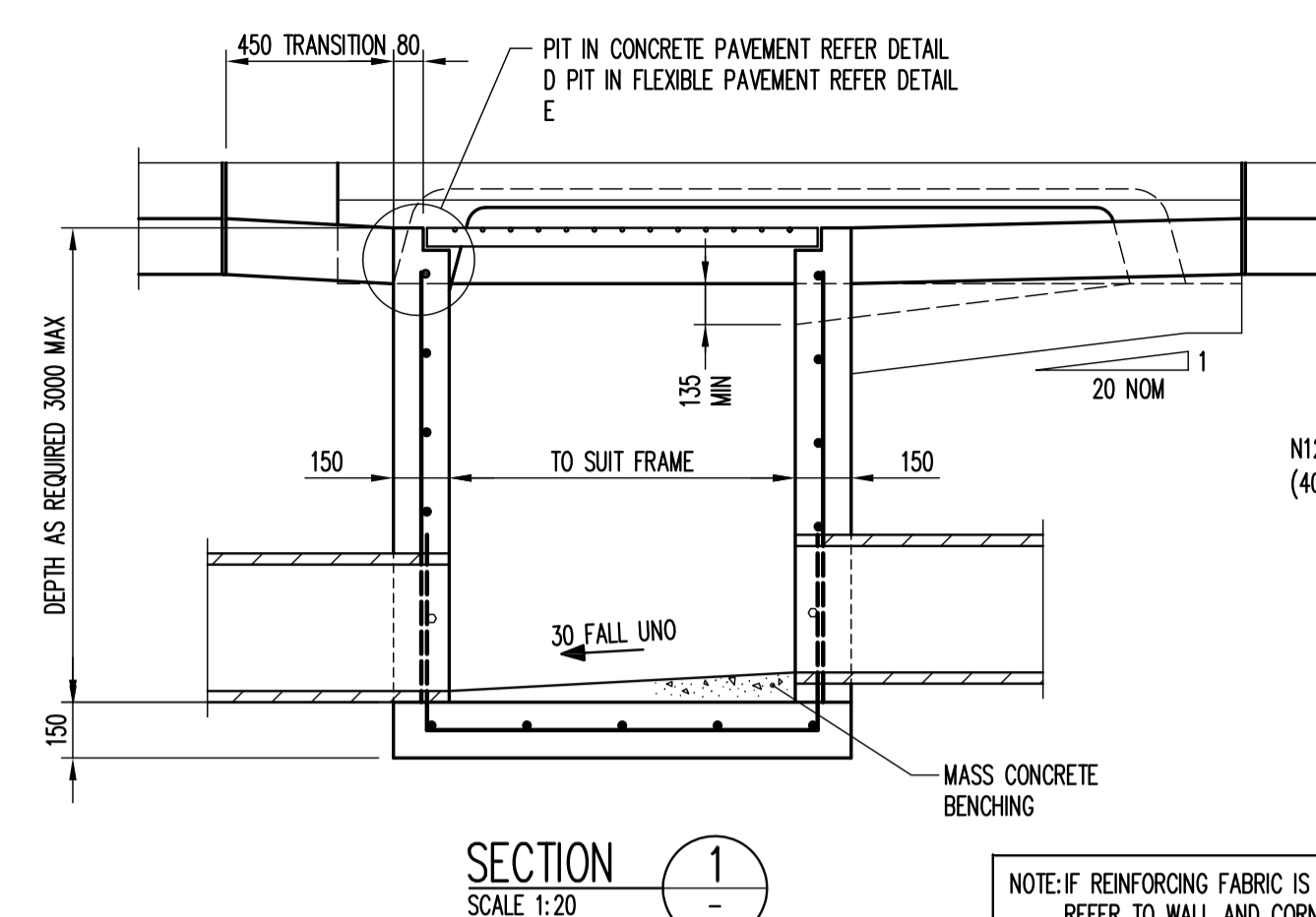
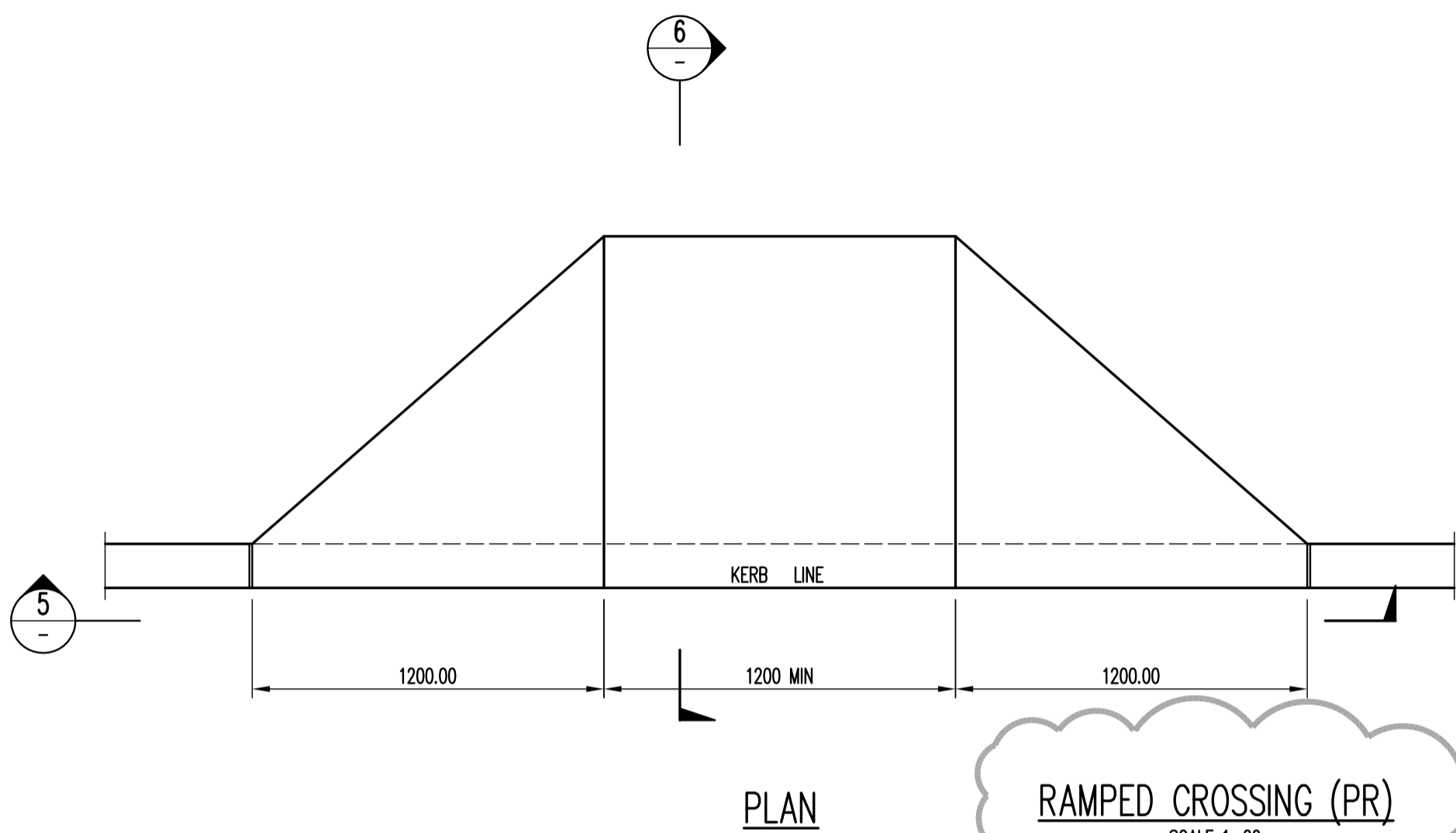


FOR NOTES AND LEGENDS REFER TO DRAWING No C300

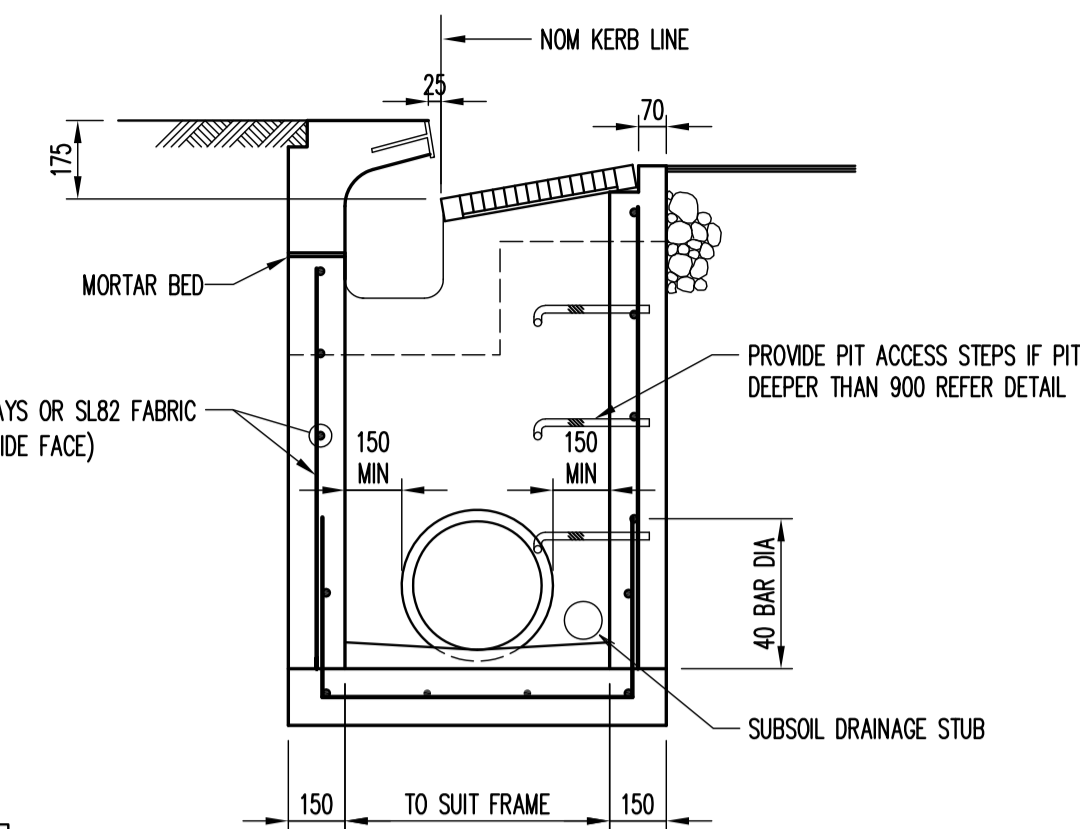


NOTE
TACTILE INDICATORS AS SPECIFIED IN AS 1428.4 SHOULD BE INTEGRATED AND EXTENDED 200mm AWAY FROM ALL NEW PRAM RAMP AT THE SHARP TRANSITION AT THE TOP AND BOTTOM OF THE RAMP

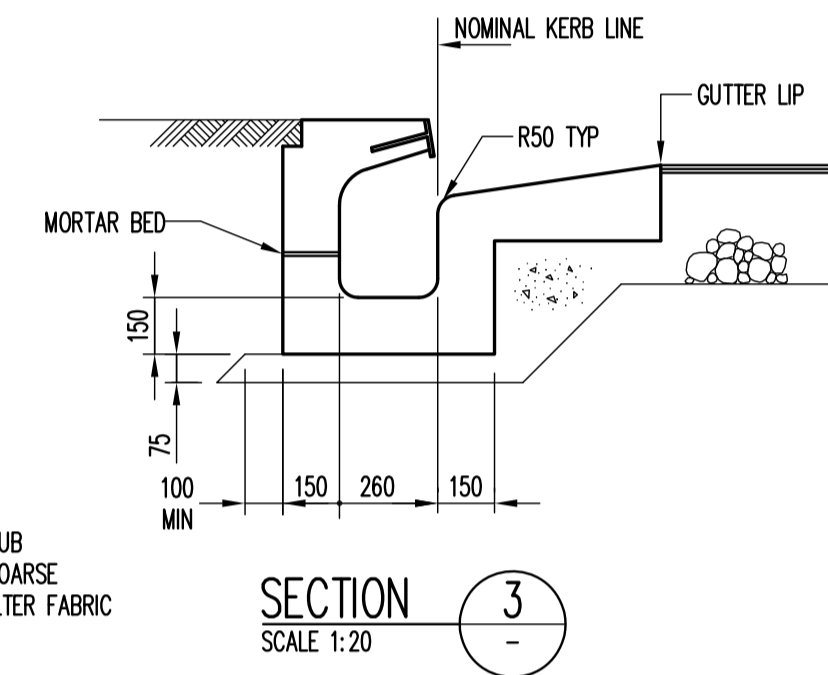
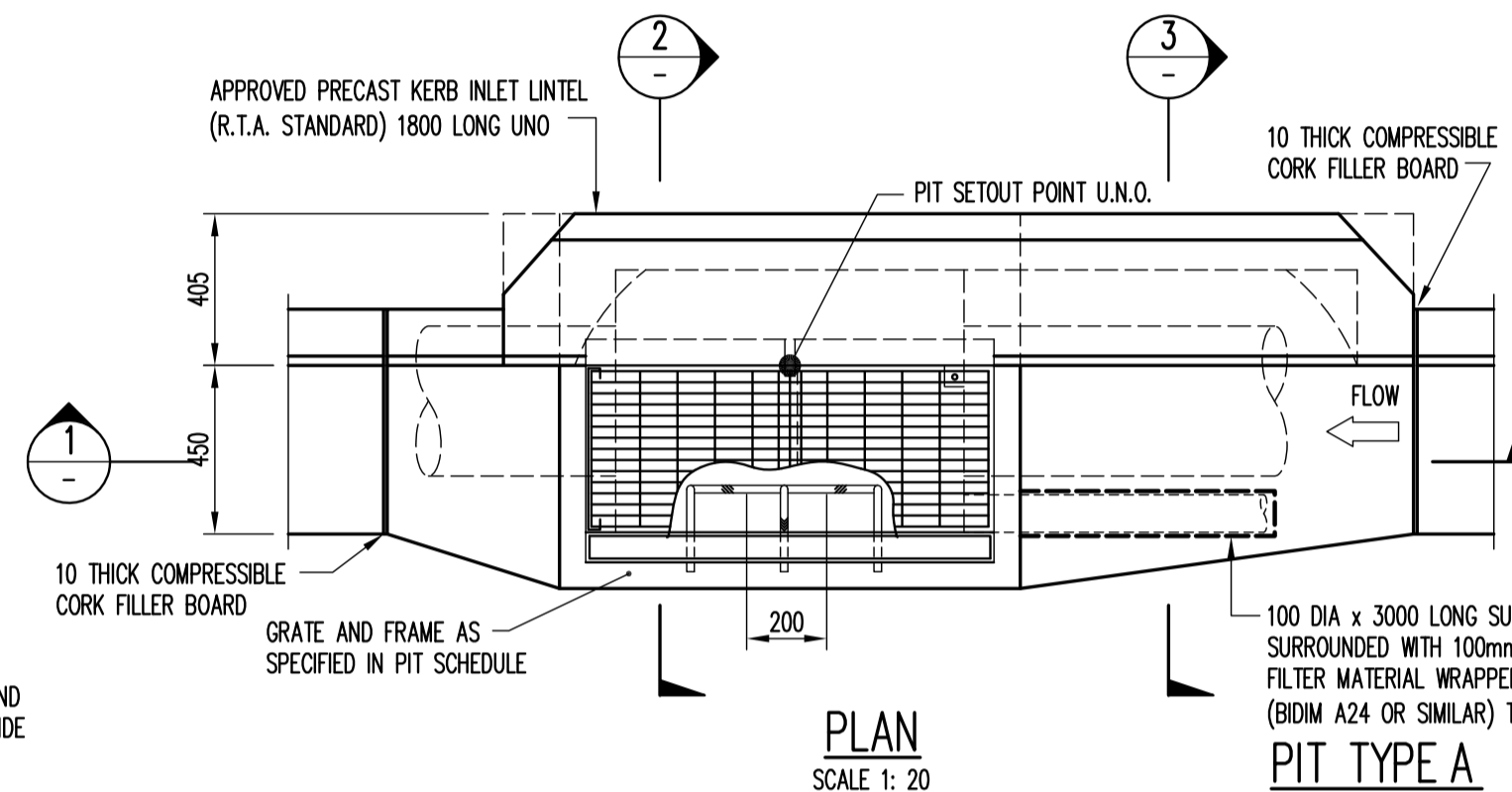
THE USE OF TACTILE PAVERS IS TO BE CONFIRMED BY THE ENGINEER REMOVE FROM DETAIL IF NOT REQUIRED



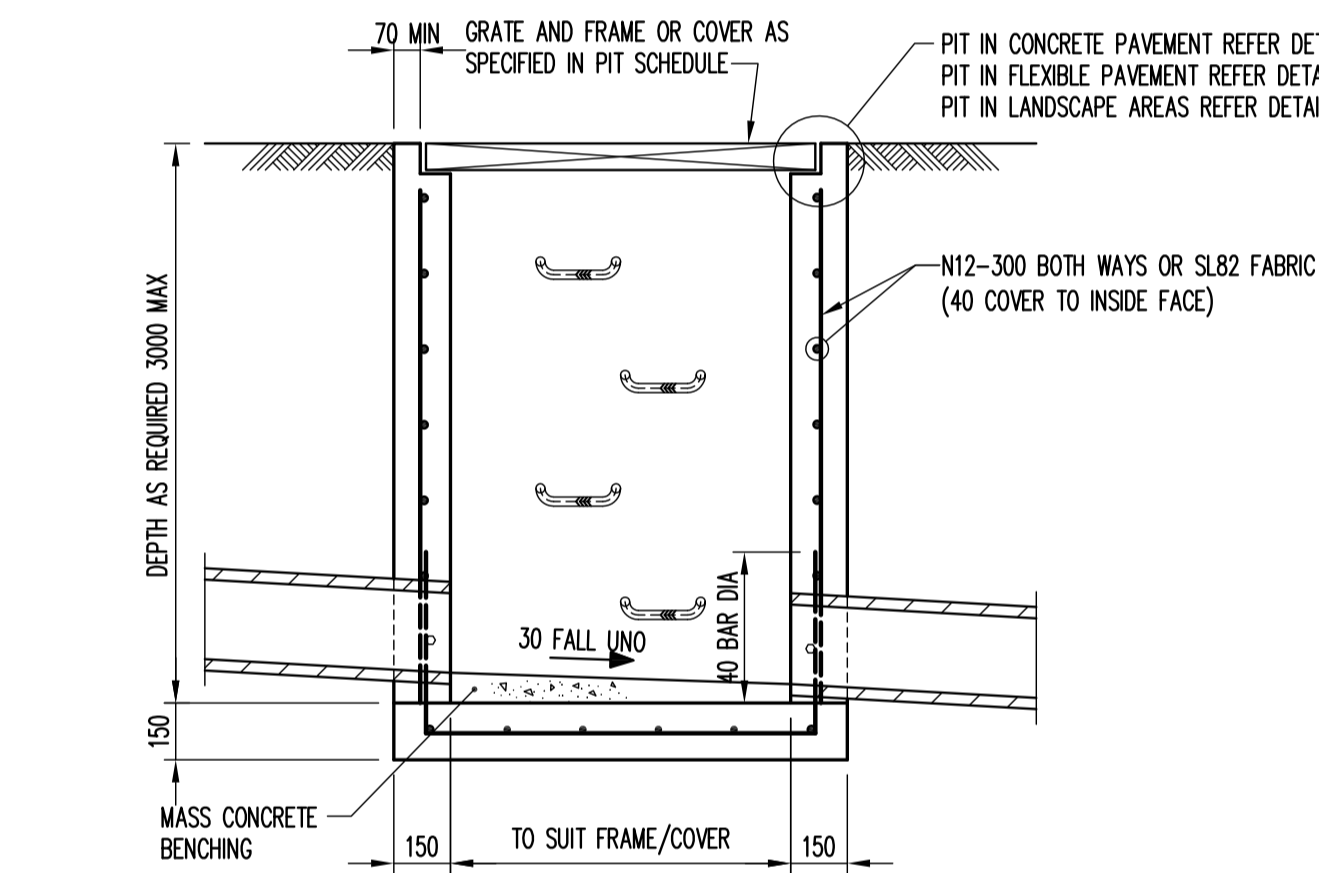
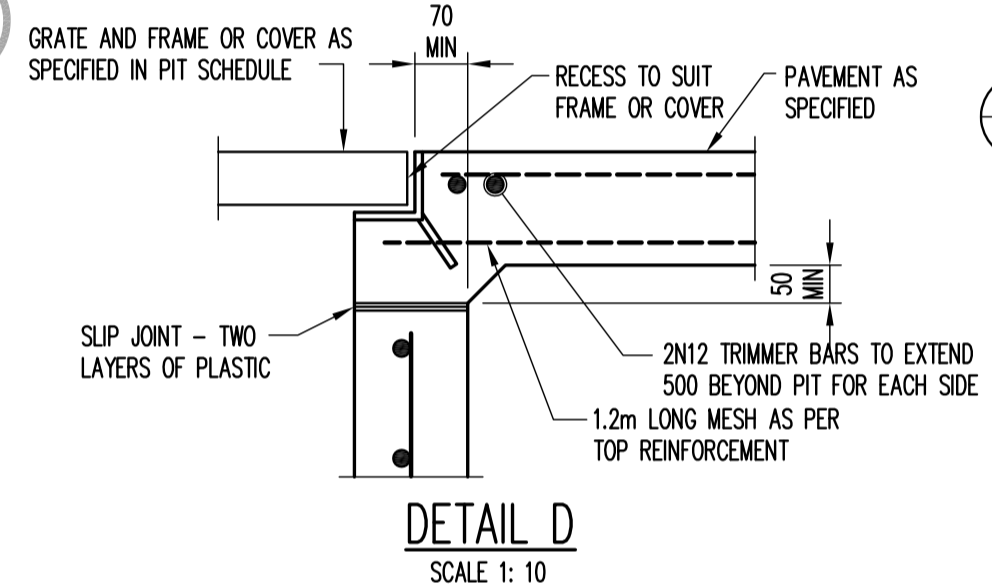
NOTE: IF REINFORCING FABRIC IS TO BE USED REFER TO WALL AND CORNER DETAILS



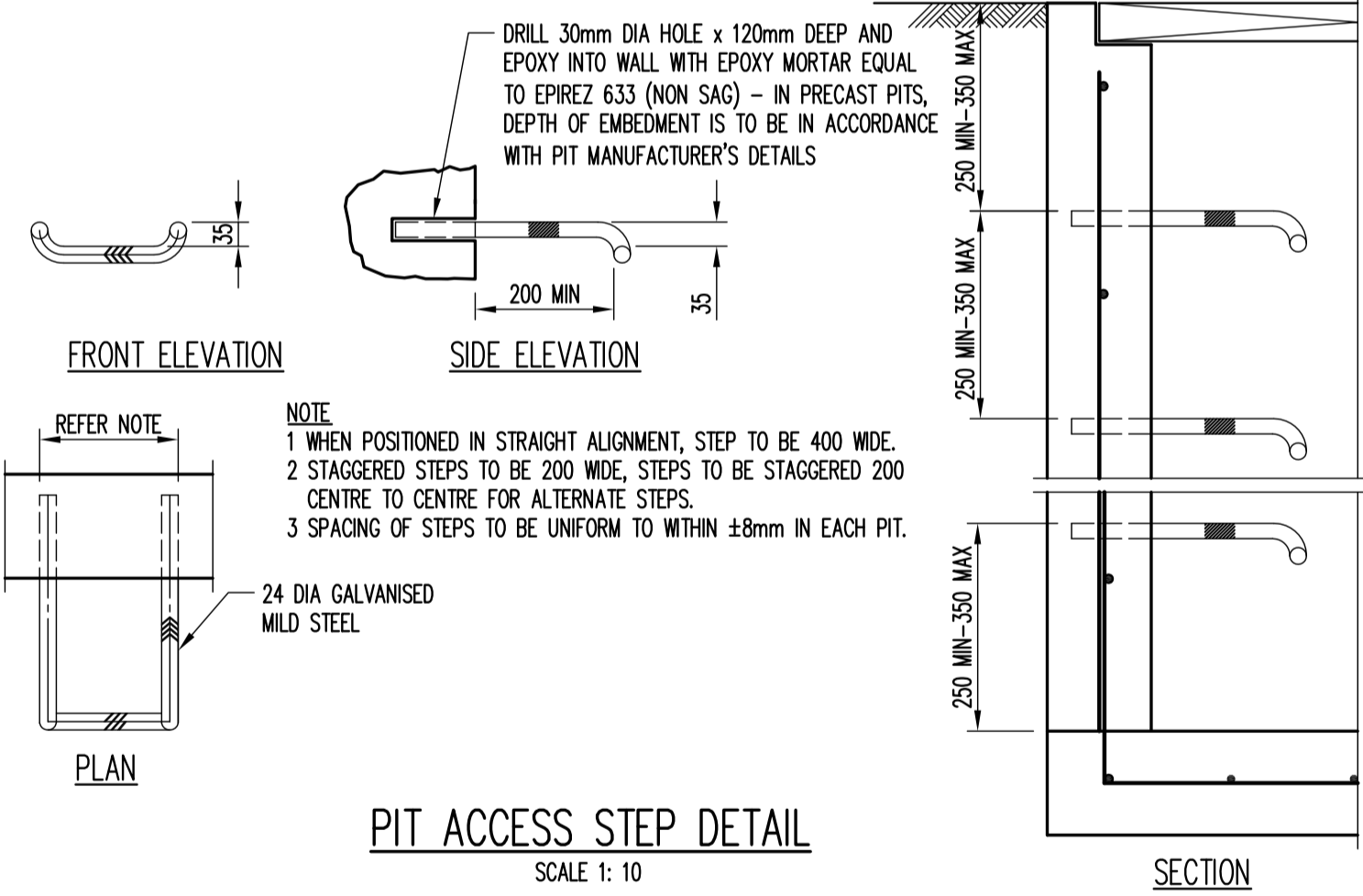
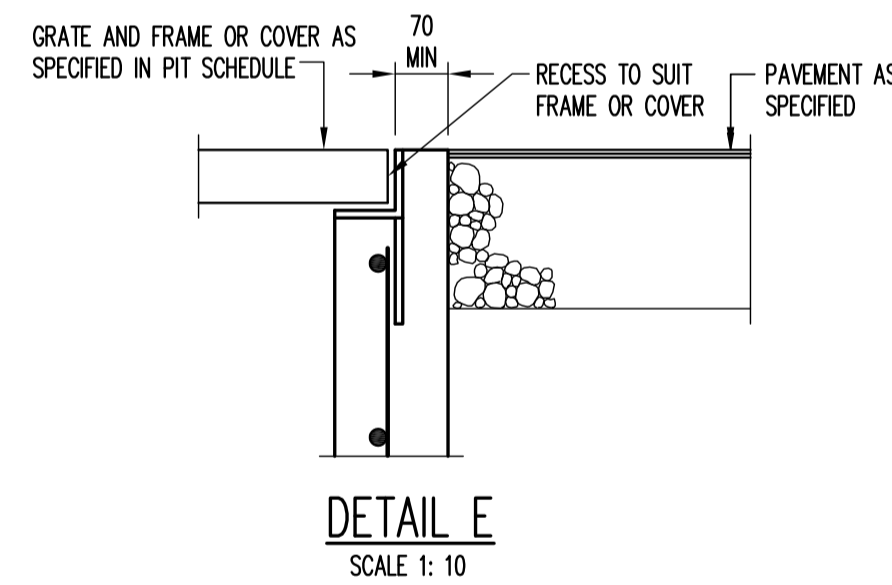
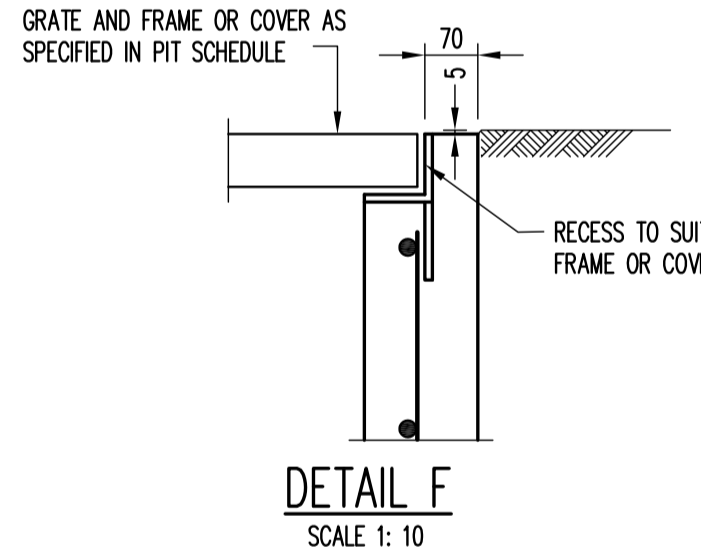
SECTION 2
SCALE 1:20



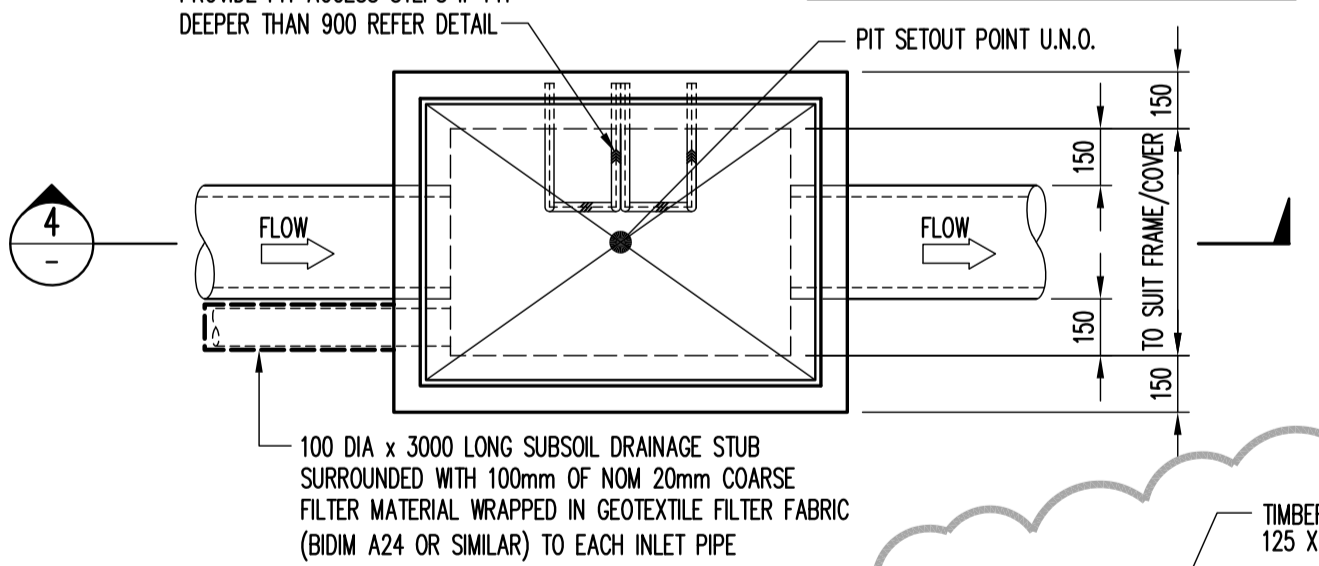
SECTION 3
SCALE 1:20



NOTE: IF REINFORCING FABRIC IS TO BE USED REFER TO WALL AND CORNER DETAILS

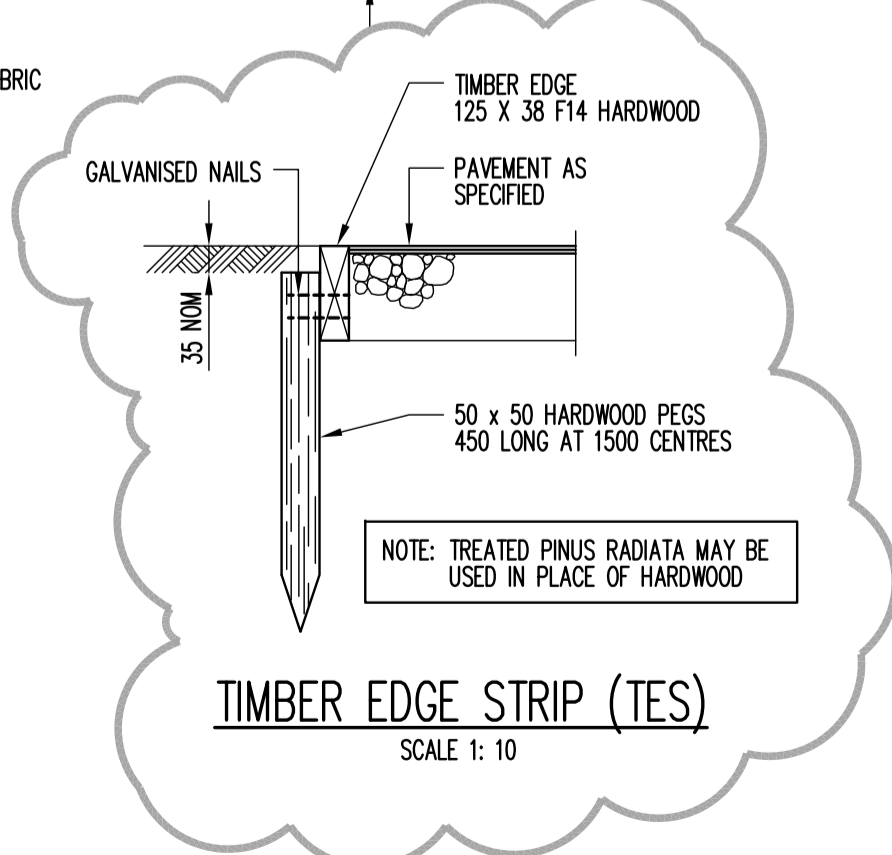


NOTE
1 WHEN POSITIONED IN STRAIGHT ALIGNMENT, STEP TO BE 400 WIDE.
2 STAGGERED STEPS TO BE 200 WIDE, STEPS TO BE STAGGERED 200 CENTRE TO CENTRE FOR ALTERNATE STEPS.
3 SPACING OF STEPS TO BE UNIFORM TO WITHIN ±8mm IN EACH PIT.

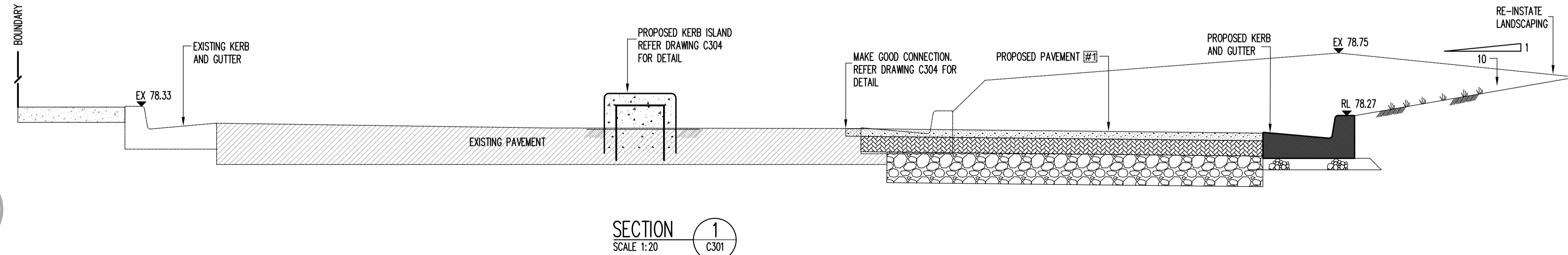


PLAN
SCALE 1:20

PIT TYPE B



NOTE: TREATED PINUS RADIATA MAY BE USED IN PLACE OF HARDWOOD



SECTION 1
SCALE 1:20

File Name: C305.dwg - USER: nemois - Plot File Created: Jun 02, 2009 - 3:26pm

Rev	Description	Eng	Draft	Date
B	CHANGES AS CLOUDED	NB	EN	01.05.09
A	ISSUE FOR TENDER	NB	EN	23.04.09

Client
MACQUARIE UNIVERSITY
OFFICE OF MAJOR PROJECTS
SYDNEY NSW 2109
PH: 9850 7111

Project Manager
DEFINITY GROUP
PO BOX 3054
BELLEVUE HILL NSW 2023
PH: (02) 8354 1822

TaylorThomsonWhitting
Consulting Engineers
48 Chandos Street St Leonards NSW 2065
T: +61 2 9439 7288 F: +61 2 9439 3146 ttw@tdw.com.au
Taylor Thomson Whitting (NSW) Pty Ltd A.C.N. 113 578 377

Project
TRAFFIC MANAGEMENT WORKS
BALACLAVA RD

Sheet Subject
DETAILS SHEET 2

PRELIMINARY

Scale: A1 Drawn: JW Authorised: [Signature]
Job No: 071628 Drawing No: C305 Revision: B
Plot File Created: Jun 02, 2009 - 3:26pm