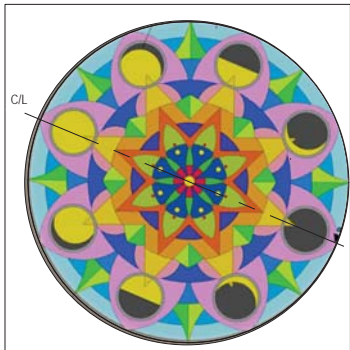


Plan
Scale 1:50
MULTI-USE MANDALA



Reference Image for Stoneset Colours

Notes

1. Stoenset Samples to be provided for approval before commencement of work.
2. Mandala Steel Arches & handrail to be paint finish with Dulux protective coating.
3. Mandala pattern to be aligned with C/L as shown.

Legend - General

	Scope of work / staging
	Property boundary
	Proposed major contours
	Proposed minor contours
	Proposed levels

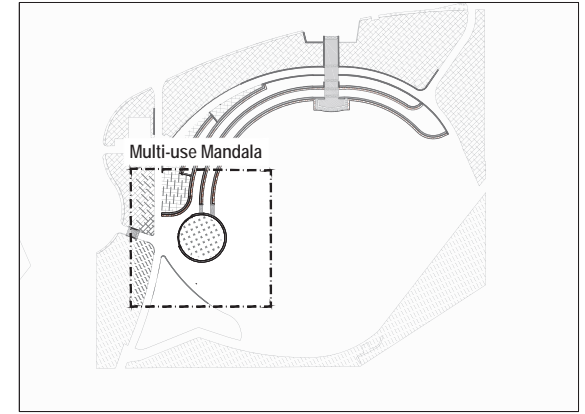
Legend - Pavement and Materials

	PV1 - Concrete pavement
	PV2 - Granite pavement *not used in current scope
	PV3 - FRP decking *not used in current scope
	PV4 - Stoneset
	PV5 - Brick pavement
	PV6 - Mulch
	TGSI
	Wall Type 1 - 200 Thick Cast In-situ Concrete Wall
	Wall Type 2 - Cast In-situ Concrete Terrace Wall with Brick Underlay

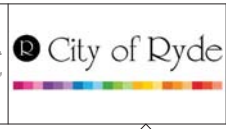
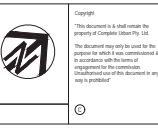
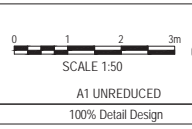
Legend - Planting

	Grass
	Planting- Proposed grasses/small shrubs
	Spade Edge *not used in current scope
	Concrete Edge

Key Plan



E	Issued For Tender	UK	PK	13/07/18	
D	100% Detail Design	UK	PK	15/06/18	
C	95% Detail Design	UK	PK	11/05/18	
B	75% Detail Design	UK	PK	20/04/18	
No.	Revision - Review on CAD do not amend by hand	Checked	Approved	Date	Status



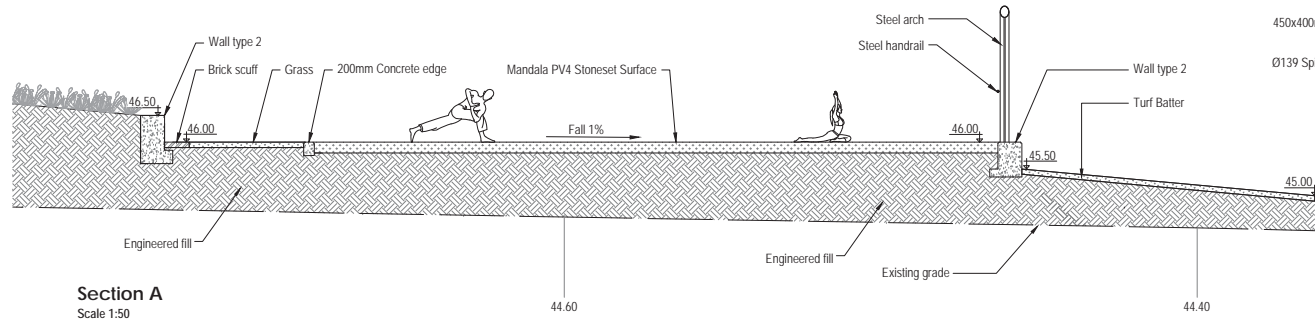
10 Regent Street
Chippendale NSW 2008 | p 02 9282 9900 | f 02 9282 9277



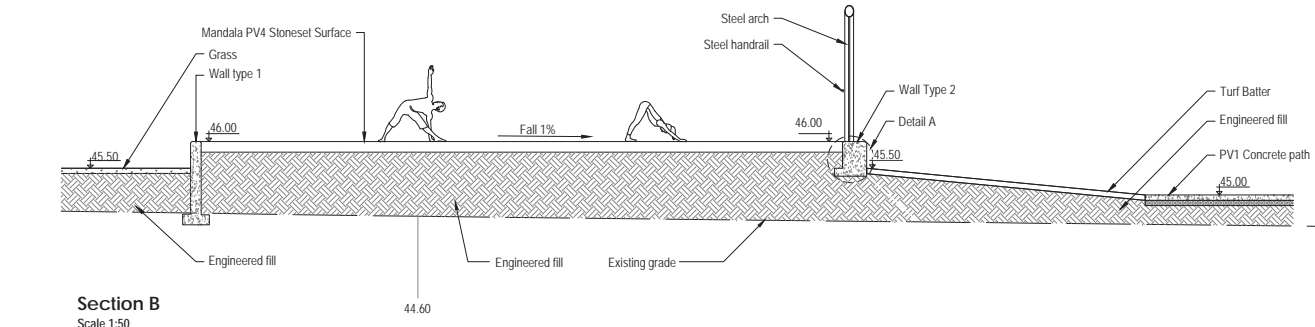
Scale as Noted	Client and Job
Drawn JW	Designed PK
Drafting Check CN	Design Check UK
Approved:	
NOT FOR CONSTRUCTION This Drawing must not be used for Construction unless signed as Approved	

City of Ryde Shrimptons Creek Precinct Activation	
Title: Details - Multi-Use Mandala - Wilga Park Sheet 6 of 9	
Dwg No. 2740-WP-DE-006	Rev: A1

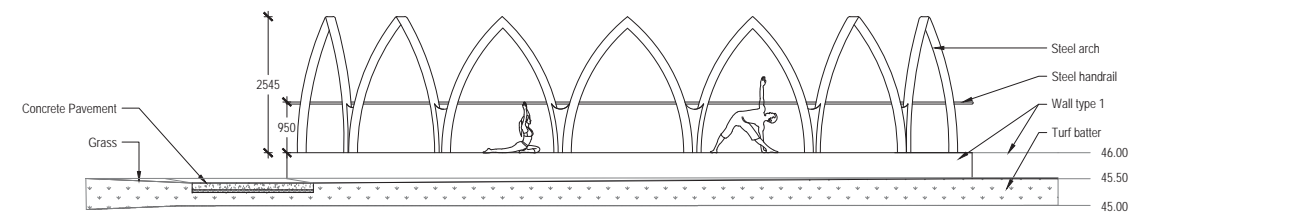
DO NOT SCALE



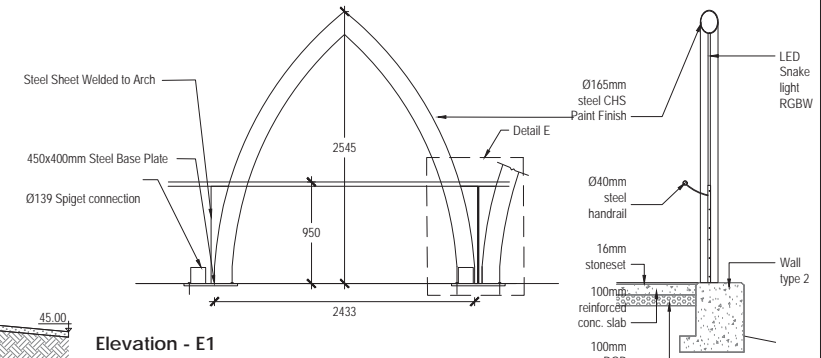
Section A
Scale 1:50



Section B
Scale 1:50

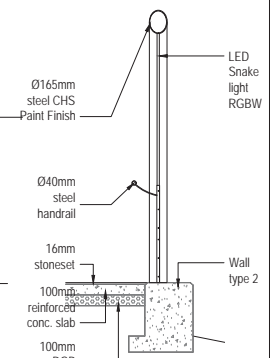


Section C
Scale 1:50
MULTI-USE MANDALA

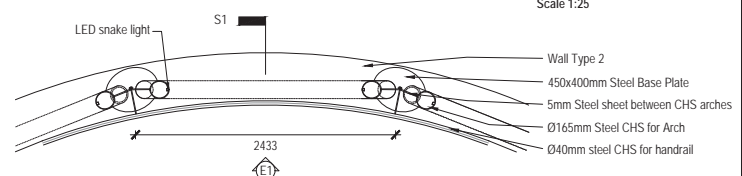


Elevation - E1
Scale 1:25

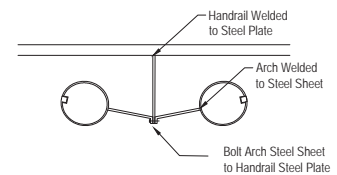
Note: Use Ø 200 Steel base plate without spigot and finish arch without steel sheet for final arch where arch sequence finishes (end arches).



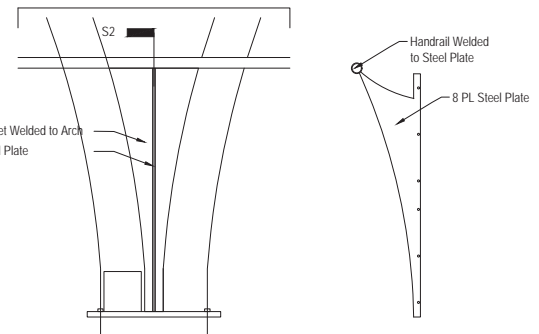
Section - S1
Scale 1:25



Typical Steel Arch Detail D Plan
Scale 1:25



Hand Rail Detail E
Scale 1:0



Section - S2
Scale 1:0



SCALE 1:50
A1 UNREDUCED
100% Detail Design

Copyright
This document is a third version of the property of Complete Urban Pty. Ltd.
The document may only be used for the purpose for which it was commissioned & in accordance with the terms of the agreement for the commission.
Reproduction or further distribution in any way is prohibited.



10 Regent Street
Chippendale NSW 2008 | p 02 9282 9900 | f 02 9282 9277

COMPLETE

ABN 64 100 037 812
www.completeurban.com.au

Scale as Noted		Client and Job
Drawn: JW	Designed: PK	City of Ryde Shrimptons Creek Precinct Activation
Drafting Check: CN	Design Check: UK	Title: Details - Multi-Use Mandala Sections - Wiiga Park Sheet 7 of 9
Approved:	NOT FOR CONSTRUCTION This Drawing must not be used for Construction unless signed as Approved	Dwg No: 2740-WP-DE-007
Rev	Rev	
A1	E	