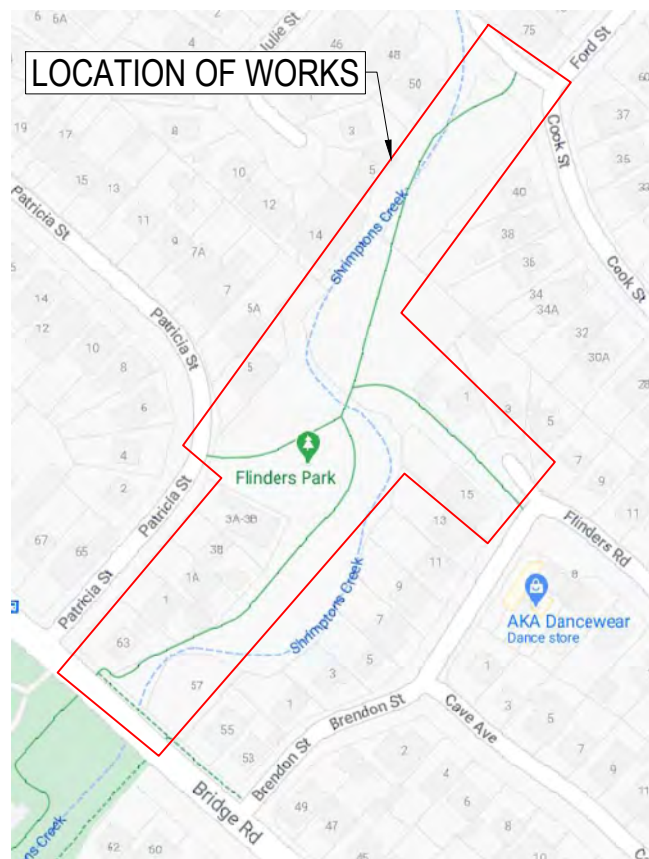


CHECK FOR OTHER SERVICES BEFORE BORING OR EXCAVATING



PUBLIC LIGHTING DESIGN SHRIMPTONS CREEK USER PATH BETWEEN BRIDGE RD AND COOK STREET DETAILED LIGHTING DESIGN



LOCALITY PLAN

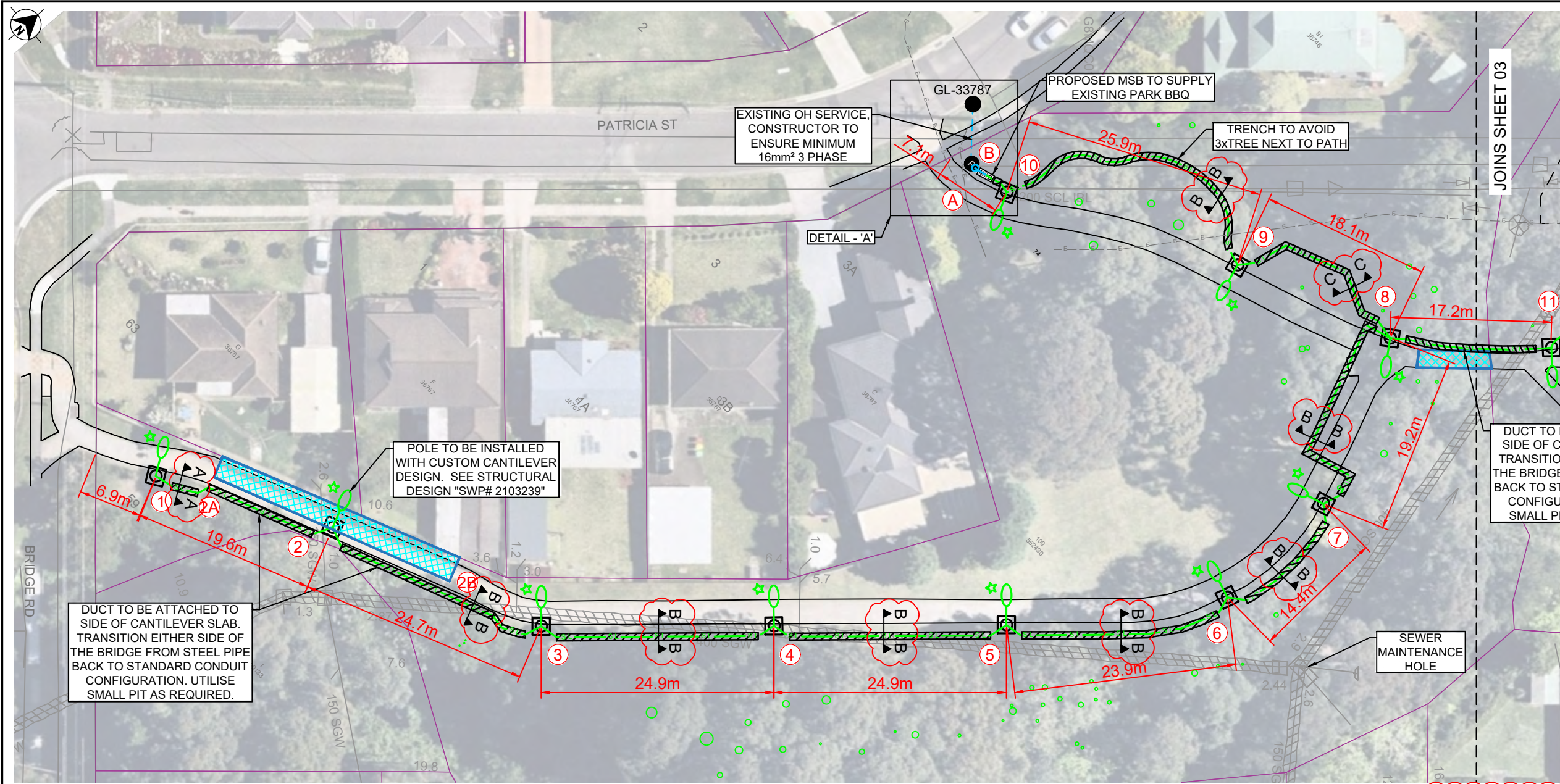
© GOOGLE MAPS

SHEET INDEX		
SHEET NUMBER	DESCRIPTION	REV
1	COVER SHEET	08
2	SITE PLAN 01	08
3	SITE PLAN 02	08
4	COLUMN & FOUNDATION DETAILS	08
5	SINGLE LINE DIAGRAM & MSB DETAILS	08
6	GENERAL NOTES	08
7	GENERAL NOTES	08
8	LIGHTING CERTIFICATION - LUX DIAGRAM	08
9	LIGHTING CERTIFICATION - LUX DIAGRAM	08
10	LIGHTING CERTIFICATION - SOFTWARE OUTPUT	08
11	LIGHTING CERTIFICATION - SOFTWARE OUTPUT	08

FOR CONSTRUCTION

THIS DRAWING MAY BE PREPARED IN COLOUR AND MAY BE INCOMPLETE IF COPIED

TEMPLATE VERSION YYYYMMDD: 01 17-11-20 ISSUED FOR APPROVAL 02 15-01-21 DESIGN UPDATE FOR BRIDGE CROSSING DUCTS 03 22-01-21 UPDATED ISOLUX PLOTS FOR DESIGN UPDATE AND BACKLIGHT SHIELDS 04 19-05-21 UPDATED SET OUT TABLE AND WORKS SCHEDULE 05 16-07-21 ADDED: DBYD INFORMATION, EXISTING TREES ALONG PATH. COLUMN AND TRENCH LOCATIONS UPDATED FROM SITE MEETING 06 13-08-21 ISSUE FOR TENDER 07 19-10-21 UPDATED LIGHTING DESIGN 08 08-11-21 UPDATED SCOPE OF WORKS		ISSUED BY M.C. M.C. M.C. M.C. M.C. M.C. M.C.	SCALES ON A3 SIZE DRAWING NOT TO SCALE CO-ORDINATE SYSTEM MGA ZONE 56 HEIGHT DATUM AHD	DRAWINGS / DESIGN PREPARED BY ArconaTech ACN 162 670 957 ABN 13 162 670 957 E info@arconatech.com.au W www.arconatech.com.au M PO Box 890 PO Box 78 P Liverpool NSW 2170 Wollongong NSW 2520 0448 814 154	PLOT DATE / TIME 21/05/2021 1:01:04 PM PLOT BY Sean CLIENT CITY OF RYDE COUNCIL CITY OF RYDE COUNCIL	CITY OF RYDE COUNCIL PRIVATE LIGHTING SHRIMPTONS CREEK FOOT PATH BETWEEN BRIDGE RD TO COOK ST, NORTH RYDE COVER SHEET DOCUMENT No. 21012A ISSUE STATUS ISSUE FOR CONSTRUCTION
				SHEET No. 01 REV. 08	A3	



SITE PLAN LEGEND	
●	EXISTING AUSGRID POLE
● P	EXISTING PRIVATE POLE
○	PROPOSED CITY OF RYDE POLE
▨	PROPOSED CITY OF RYDE DUCT ROUTE
— SL —	PROPOSED CITY OF RYDE SL CABLE ROUTE
— SV — SV —	PROPOSED SERVICE MAINS
- - -	EXISTING SERVICE OH MAINS
○	PROPOSED SERVICE UGOH
MSB	PROPOSED MAIN SWITCH BOARD
▨	STRUCTURAL WALKWAY
○	TREE

SITE PLAN
SCALE 1:500

NOTE:
DETOUR SIGNAGE TO BE PREPARED PRIOR TO CONSTRUCTION COMMENCING

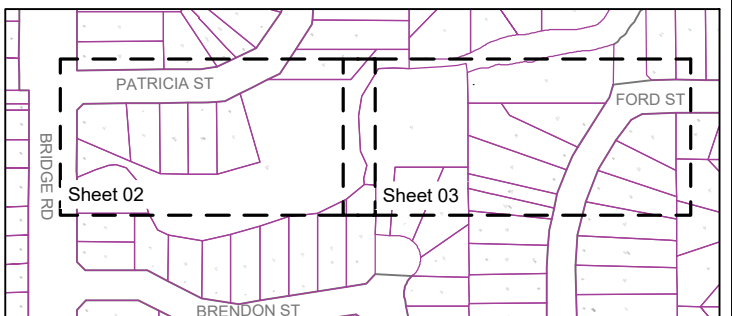
NOTE:
BUNTING TO BE USED TO MARK WORK AREA

WARNING:
AUSGRID ASSETS IN PROPOSED WORKS AREA

WARNING:
SYDNEY WATER ASSETS IN PROPOSED WORKS AREA

WORKS SCHEDULE			
REF. ID	ROUTE DISTANCE (m)	CONDUCTOR OR ASSET DETAIL	CONSTRUCTION DETAIL
A	N/A	EXISTING PRIVATE POLE	REMOVE EXISTING COUNCIL MSB. INSTALL SERVICE UGOH TO NEW COUNCIL MSB AND RECONNECT SUPPLY TO EXISTING PARK BBQ.
B	N/A	1 x MSB	INSTALL A NEW MSB AS PER DETAILS ON SHEET 5
1 - 2A	3m	1 x 50mm CONDUITS	TRENCH AND INSTALL CONDUITS AS PER ASSOCIATED TRENCH CROSS SECTION
2A - 2B	55m	2 x 50mm CONDUITS	ATTACH CONDUIT TO SIDE OF BRIDGE. STEEL CONDUIT TO BE USED AS PER AS3000 3.11 AND CATEGORY A SYSTEM FOR BRIDGE SECTION
2B - 3	10m	2 x 50mm CONDUITS	TRENCH AND INSTALL CONDUITS AS PER ASSOCIATED TRENCH CROSS SECTION
3 - 4	22m		
4 - 5	22m		
5 - 6	21m		
6 - 7	12m		
7 - 8	24m		
8 - 9	17m		

8 - 11	14m	2 x 50mm CONDUITS	ATTACH CONDUIT TO SIDE OF BRIDGE. STEEL CONDUIT TO BE USED AS PER AS3000 3.11 AND CATEGORY A SYSTEM FOR BRIDGE SECTION
9 - 10	29m	2 x 50mm CONDUITS	TRENCH AND INSTALL CONDUITS AS PER ASSOCIATED TRENCH CROSS SECTION
10 - B	3m		
1 - 3	49m	4x1C 16mm² CU XLPE/PVC + 1x6mm² EARTH CABLE	LAY NEW CABLE IN CONDUIT
2 - 4	53m		
3 - 5	53m		
4 - 6	53m		
5 - 7	43m		
6 - 8	45m		
7 - 9	48m		
8 - 10	57m		
9 - B	41m		
10 - B	9m		
A - B	3m	4 x 1C 16mm² CU XLPE/PVC	LAY NEW CABLE IN CONDUIT



KEY PLAN
NTS

THIS DRAWING MAY BE PREPARED IN COLOUR AND MAY BE INCOMPLETE IF COPIED

REV	DATE	AMENDMENT / REVISION DESCRIPTION	ISSUED BY
01	17-11-20	ISSUED FOR APPROVAL	M.C.
02	15-01-21	DESIGN UPDATE FOR BRIDGE CROSSING DUCTS	M.C.
03	22-01-21	UPDATED ISOLUX PLOTS FOR DESIGN UPDATE AND BACKLIGHT SHIELDS	M.C.
04	19-05-21	UPDATED SET OUT TABLE AND WORKS SCHEDULE	M.C.
05	16-07-21	ADDED: DBYD INFORMATION, EXISTING TREES ALONG PATH. COLUMN AND TRENCH LOCATIONS UPDATED FROM SITE MEETING	M.C.
06	13-08-21	ISSUE FOR TENDER	M.C.
07	19-10-21	UPDATED LIGHTING DESIGN	M.C.
08	08-11-21	UPDATED SCOPE OF WORKS	M.C.

CO-ORDINATE SYSTEM: MGA ZONE 56
HEIGHT DATUM: AHD

SCALE BAR 1:500

DRAWINGS / DESIGN PREPARED BY: **ArconaTech**

ACN 162 670 957
E info@arconatech.com.au
W www.arconatech.com.au
M PO Box 890 PO Box 78
P Liverpool NSW 2170 Wollongong NSW 2520
0448 814 154

TITLE	NAME	DATE
DRAWN	S. MAPAYO	15.10.20
DESIGN	S. TIEU	15.10.20
CHECKED	M. CHEN	15.10.20

CLIENT: CITY OF RYDE COUNCIL

PREPARED FOR: CITY OF RYDE COUNCIL

CITY OF RYDE COUNCIL

PRIVATE LIGHTING SHRIMPTONS CREEK FOOT PATH BETWEEN BRIDGE RD TO COOK ST, NORTH RYDE

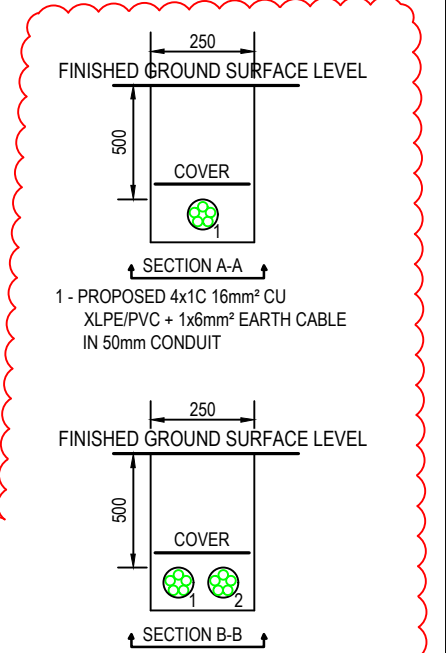
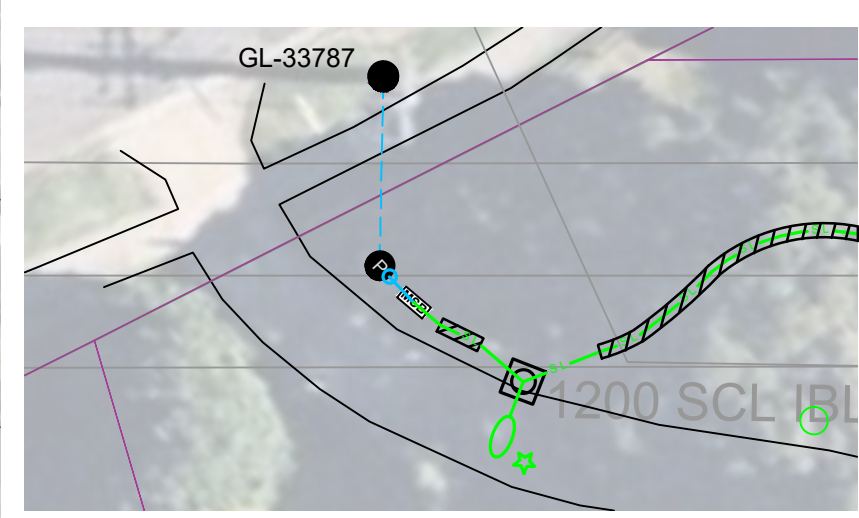
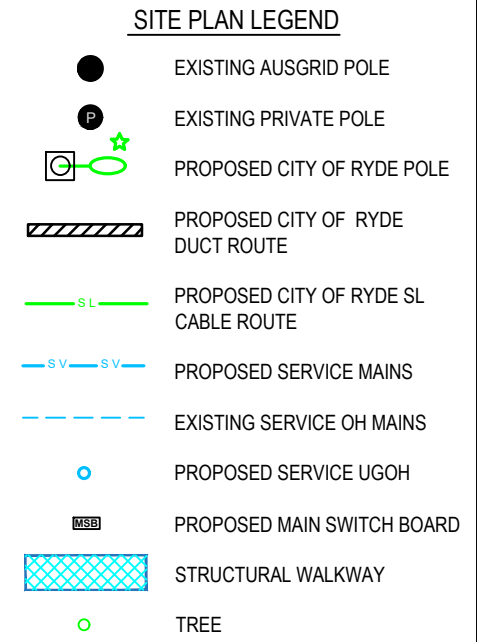
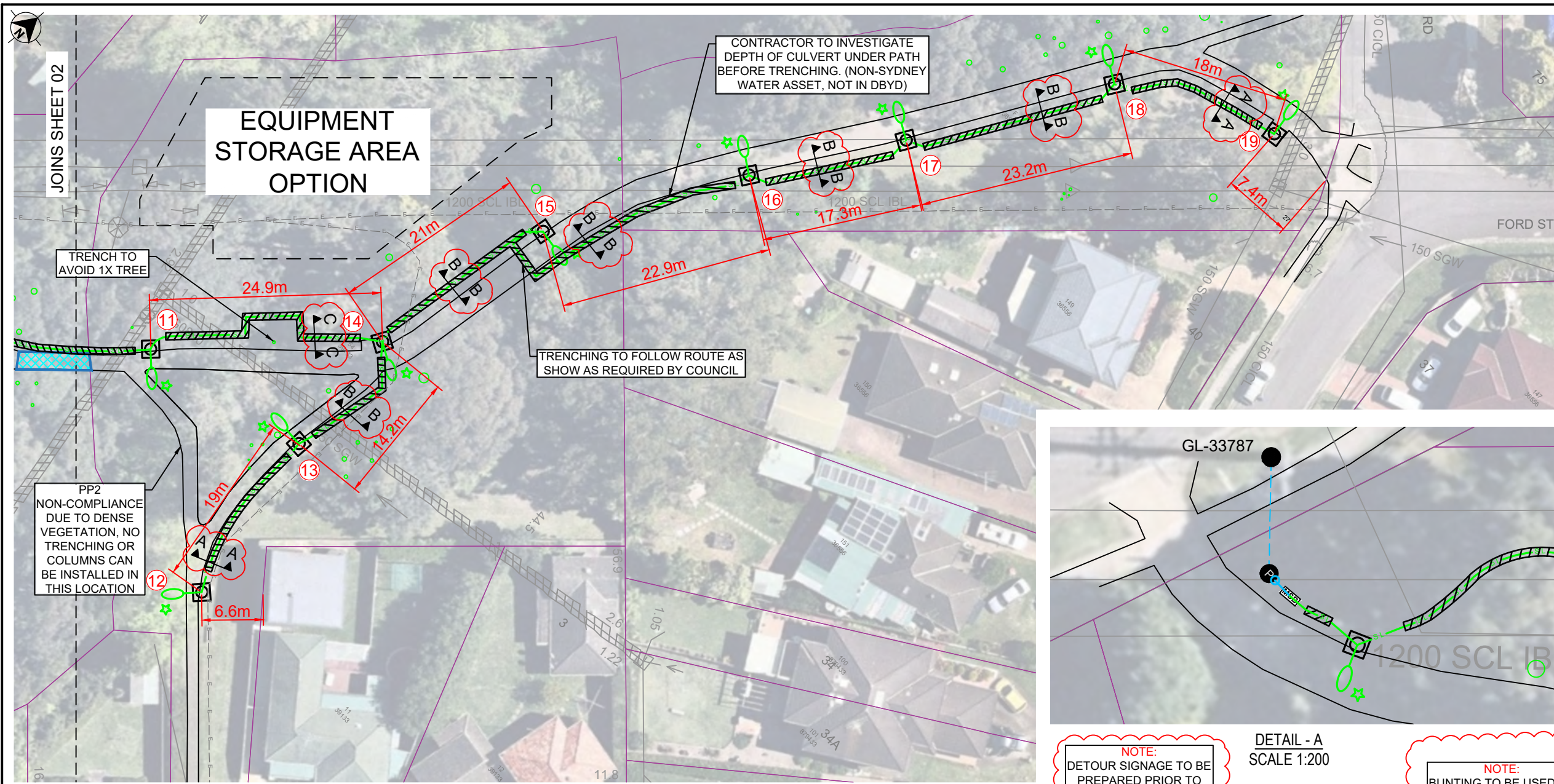
SITE PLAN

DOCUMENT No. 21012A

ISSUE STATUS: ISSUE FOR CONSTRUCTION

SHEET No. 02

ISSUE 08



NOTE:
DETOUR SIGNAGE TO BE PREPARED PRIOR TO CONSTRUCTION COMMENCING

DETAIL - A
SCALE 1:200

NOTE:
BUNTING TO BE USED TO MARK WORK AREA

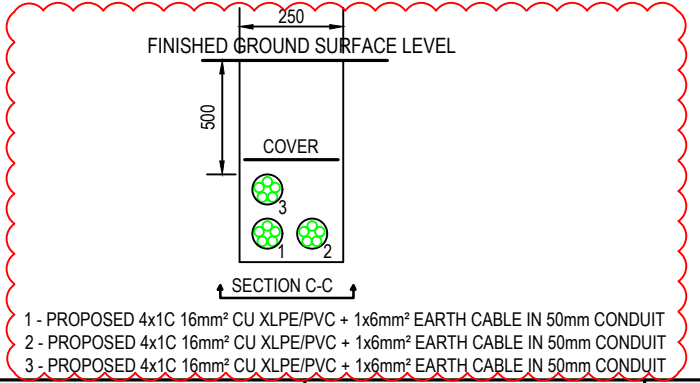
WARNING:
AUSGRID ASSETS IN PROPOSED WORKS AREA

WARNING:
SYDNEY WATER ASSETS IN PROPOSED WORKS AREA

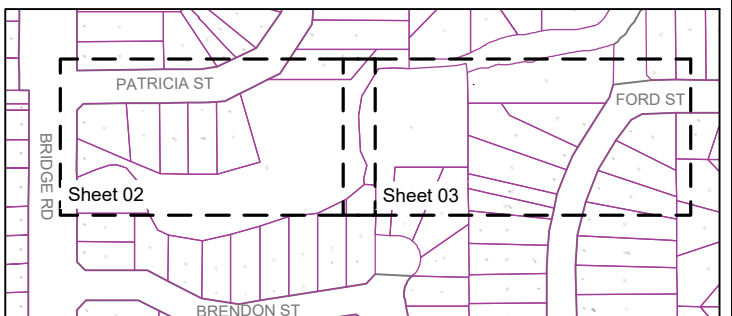
1 - PROPOSED 4x1C 16mm² CU XLPE/PVC + 1x6mm² EARTH CABLE IN 50mm CONDUIT
2 - PROPOSED 4x1C 16mm² CU XLPE/PVC + 1x6mm² EARTH CABLE IN 50mm CONDUIT

WORKS SCHEDULE			
REF. ID	ROUTE DISTANCE (m)	CONDUCTOR OR ASSET DETAIL	CONSTRUCTION DETAIL
11 - 14	25m	3 x 50mm CONDUITS	TRENCH AND INSTALL CONDUITS AS PER ASSOCIATED TRENCH CROSS SECTION
12 - 13	15m	1 x 50mm CONDUITS	TRENCH AND INSTALL CONDUITS AS PER ASSOCIATED TRENCH CROSS SECTION
13 - 14	12m		
14 - 15	16m		
15 - 16	29m	2 x 50mm CONDUITS	TRENCH AND INSTALL CONDUITS AS PER ASSOCIATED TRENCH CROSS SECTION
16 - 17	14m		
17 - 18	20m		
18 - 19	15m	1 x 50mm CONDUITS	TRENCH AND INSTALL CONDUITS AS PER ASSOCIATED TRENCH CROSS SECTION
8 - 14	49m		
9 - 11	41m	4x1C 16mm ² CU XLPE/PVC + 1x6mm ² EARTH CABLE	LAY NEW CABLE IN CONDUIT
11 - 13	46m		
11 - 15	52m		

12 - 14	37m	4x1C 16mm ² CU XLPE/PVC + 1x6mm ² EARTH CABLE	LAY NEW CABLE IN CONDUIT
14 - 16	50m		
15 - 17	53m		
16 - 18	43m		
17 - 19	44m		



1 - PROPOSED 4x1C 16mm² CU XLPE/PVC + 1x6mm² EARTH CABLE IN 50mm CONDUIT
2 - PROPOSED 4x1C 16mm² CU XLPE/PVC + 1x6mm² EARTH CABLE IN 50mm CONDUIT
3 - PROPOSED 4x1C 16mm² CU XLPE/PVC + 1x6mm² EARTH CABLE IN 50mm CONDUIT



KEY PLAN
NTS

REV	DATE	AMENDMENT / REVISION DESCRIPTION
01	17-11-20	ISSUED FOR APPROVAL
02	15-01-21	DESIGN UPDATE FOR BRIDGE CROSSING DUCTS
03	22-01-21	UPDATED ISOLUX PLOTS FOR DESIGN UPDATE AND BACKLIGHT SHIELDS
04	19-05-21	UPDATED SET OUT TABLE AND WORKS SCHEDULE
05	16-07-21	ADDED: DBYD INFORMATION, EXISTING TREES ALONG PATH. COLUMN AND TRENCH LOCATIONS UPDATED FROM SITE MEETING
06	13-08-21	ISSUE FOR TENDER
07	19-10-21	UPDATED LIGHTING DESIGN
08	08-11-21	UPDATED SCOPE OF WORKS

ISSUED BY: M.C. M.C. M.C. M.C. M.C. M.C. M.C. M.C.

SCALES ON A3 SIZE DRAWING: SCALE BAR 1:200, SCALE BAR 1:500

CO-ORDINATE SYSTEM: MGA ZONE 56, HEIGHT DATUM: AHD

DRAWINGS / DESIGN PREPARED BY: **ArconaTech**

ACN 162 670 957, ABN 13 162 670 957, info@arconatech.com.au, www.arconatech.com.au, PO Box 890, PO Box 78, Liverpool NSW 2170, Wollongong NSW 2520, 0448 814 154

PLOT DATE / TIME: 21/05/2021 1:00:41 PM, PLOT BY: Sean

CITY OF RYDE COUNCIL

TITLE: PRIVATE LIGHTING SHRIMPTONS CREEK FOOT PATH BETWEEN BRIDGE RD TO COOK ST, NORTH RYDE

ROLE	NAME	DATE
DRAWN	S. MAPAYO	15.10.20
DESIGN	S. TIEU	15.10.20
CHECKED	M. CHEN	15.10.20

CITY OF RYDE COUNCIL

DOCUMENT No. 21012A

ISSUE STATUS: ISSUE FOR CONSTRUCTION

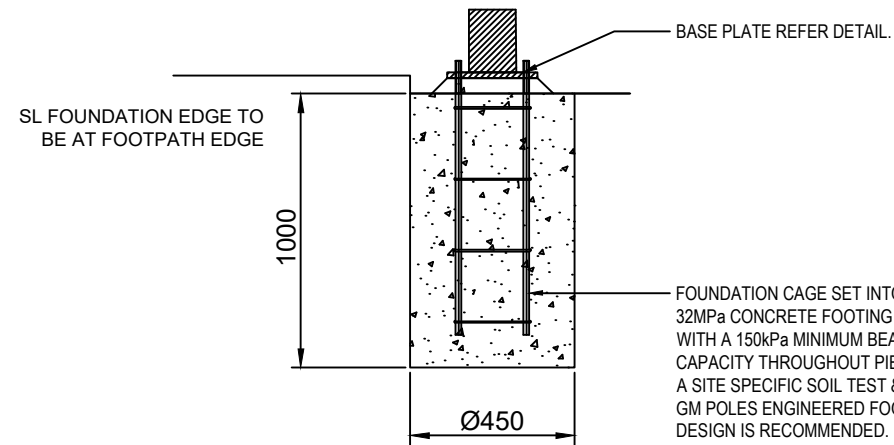
SHEET No. 03, ISSUE 08

THIS DRAWING MAY BE PREPARED IN COLOUR AND MAY BE INCOMPLETE IF COPIED

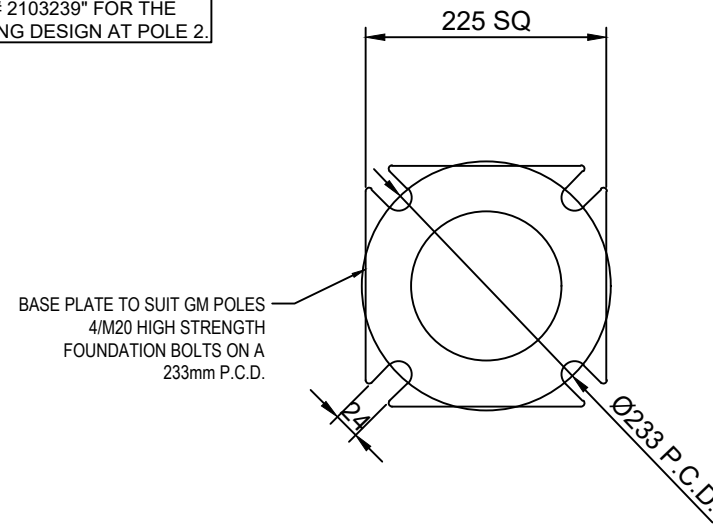
STREETLIGHT WORKS SCHEDULE					
REF. ID	CIRCUIT/ PHASE	CONDUCTOR OR ASSET DETAIL	CONSTRUCTION DETAIL	SET OUT TABLE FOR POLE LOCATION (CO-ORDINATES ARE AT CENTER OF POLES)	
				EASTING	NORTHING
1	C1/Bφ	1 x 5m GM Pole	INSTALL GM POLE ACCORDING TO SITE PLAN AND COORDINATE TABLE	325019.961	6259104.773
2	C2/Bφ	1 x 5m GM Pole	INSTALL GM POLE ACCORDING TO SITE PLAN AND COORDINATE TABLE	325036.444	6259115.595
3	C1/Aφ	1 x 5m GM Pole	INSTALL GM POLE ACCORDING TO SITE PLAN AND COORDINATE TABLE	325059.002	6259125.657
4	C2/Aφ	1 x 5m GM Pole	INSTALL GM POLE ACCORDING TO SITE PLAN AND COORDINATE TABLE CAUTION: EXISTING SW IN VICINITY. REFER TO SITE PLAN AND DBYD	325075.198	6259144.606
5	C1/Cφ	1 x 5m GM Pole	INSTALL GM POLE ACCORDING TO SITE PLAN AND COORDINATE TABLE	325091.299	6259163.579
6	C2/Cφ	1 x 5m GM Pole	INSTALL GM POLE ACCORDING TO SITE PLAN AND COORDINATE TABLE	325104.458	6259183.471
7	C1/Bφ	1 x 5m GM Pole	INSTALL GM POLE ACCORDING TO SITE PLAN AND COORDINATE TABLE	325103.553	6259197.812
8	C2/Bφ	1 x 5m GM Pole	INSTALL GM POLE ACCORDING TO SITE PLAN AND COORDINATE TABLE	325094.701	6259214.808
9	C1/Aφ	1 x 5m GM Pole	INSTALL GM POLE ACCORDING TO SITE PLAN AND COORDINATE TABLE	325078.148	6259207.465
10	C2/Aφ	1 x 5m GM Pole	INSTALL GM POLE ACCORDING TO SITE PLAN AND COORDINATE TABLE	325056.153	6259193.765
11	C1/Bφ	1 x 5m GM Pole	INSTALL GM POLE ACCORDING TO SITE PLAN AND COORDINATE TABLE	325106.704	6259227.245
12	C2/Aφ	1 x 5m GM Pole	INSTALL GM POLE ACCORDING TO SITE PLAN AND COORDINATE TABLE	325130.117	6259214.401
13	C1/Cφ	1 x 5m GM Pole	INSTALL GM POLE ACCORDING TO SITE PLAN AND COORDINATE TABLE	325124.807	6259232.728
14	C1/Cφ	1 x 5m GM Pole	INSTALL GM POLE ACCORDING TO SITE PLAN AND COORDINATE TABLE	325122.304	6259246.657
15	C1/Cφ	1 x 5m GM Pole	INSTALL GM POLE ACCORDING TO SITE PLAN AND COORDINATE TABLE	325124.521	6259267.519
16	C2/Aφ	1 x 5m GM Pole	INSTALL GM POLE ACCORDING TO SITE PLAN AND COORDINATE TABLE CAUTION: EXISTING SW IN VICINITY. REFER TO SITE PLAN AND DBYD	325134.33	6259288.255
17	C1/Aφ	1 x 5m GM Pole	INSTALL GM POLE ACCORDING TO SITE PLAN AND COORDINATE TABLE CAUTION: EXISTING SW IN VICINITY. REFER TO SITE PLAN AND DBYD	325142.469	6259303.532
18	C2/Bφ	1 x 5m GM Pole	INSTALL GM POLE ACCORDING TO SITE PLAN AND COORDINATE TABLE	325152.45	6259324.488
19	C1/Bφ	1 x 5m GM Pole	INSTALL GM POLE ACCORDING TO SITE PLAN AND COORDINATE TABLE	325167.697	6259334.038

POLE LOCATIONS TO BE SET OUT IN ACCORDANCE WITH THE COORDINATES IN THIS SET OUT TABLE. REFER TO GENERAL NOTE 16 ON SHEET 06. REFER TO LIGHT AND FOUNDATION NOTE 2 ON SHEET 07.

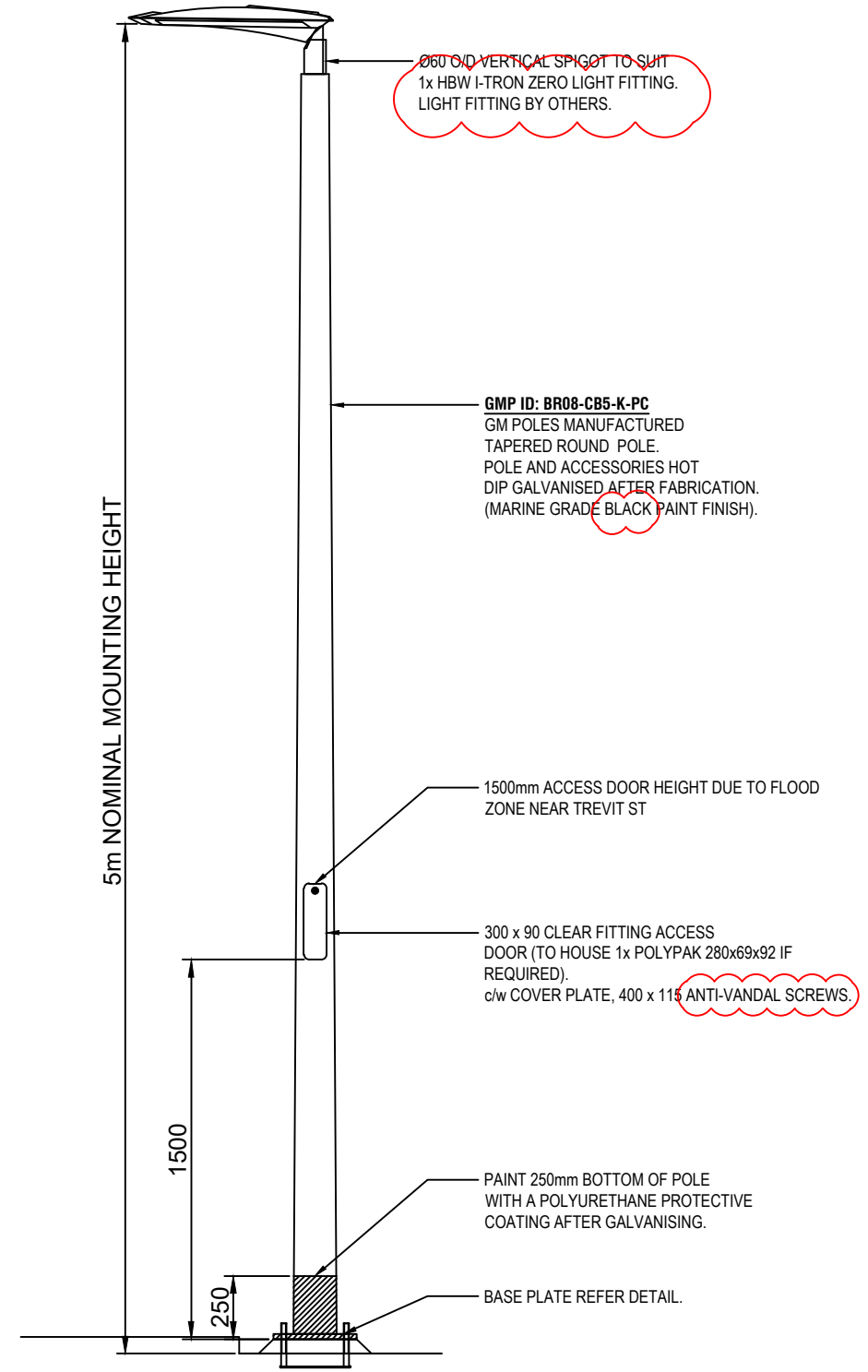
NOTE:
REFER TO STRUCTURAL ENGINEER'S DRAWING "SWP# 2103239" FOR THE CANTILEVER FOOTING DESIGN AT POLE 2.



FOUNDATION DETAIL
NTS



BASE PLATE DETAIL
NTS



POLE TYPE
NTS

THIS DRAWING MAY BE PREPARED IN COLOUR AND MAY BE INCOMPLETE IF COPIED

50mm ON A3 SIZE ORIGINAL

TEMPLATE VERSION YYYYMMDD:

REV	DATE	AMENDMENT / REVISION DESCRIPTION
01	17-11-20	ISSUED FOR APPROVAL
02	15-01-21	DESIGN UPDATE FOR BRIDGE CROSSING DUCTS
03	22-01-21	UPDATED ISOLUX PLOTS FOR DESIGN UPDATE AND BACKLIGHT SHIELDS
04	19-05-21	UPDATED SET OUT TABLE AND WORKS SCHEDULE
05	16-07-21	ADDED: DBYD INFORMATION, EXISTING TREES ALONG PATH. COLUMN AND TRENCH LOCATIONS UPDATED FROM SITE MEETING
06	13-08-21	ISSUE FOR TENDER
07	19-10-21	UPDATED LIGHTING DESIGN
08	08-11-21	UPDATED SCOPE OF WORKS

ISSUED BY	SCALES ON A3 SIZE DRAWING
M.C. M.C. M.C. M.C. M.C. M.C. M.C.	NOT TO SCALE

DRAWINGS / DESIGN PREPARED BY

ArconaTech

ACN 162 670 957 ABN 13 162 670 957
 E info@arconatech.com.au
 W www.arconatech.com.au
 M PO Box 890 PO Box 78
 P Liverpool NSW 2170 Wollongong NSW 2520
 0448 814 154

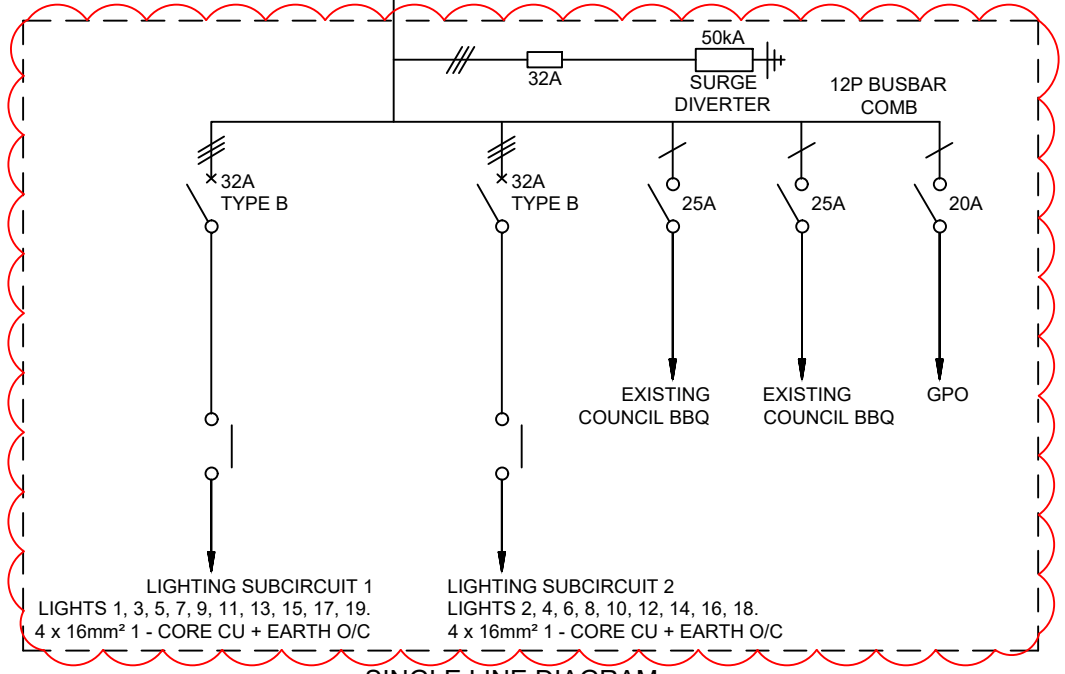
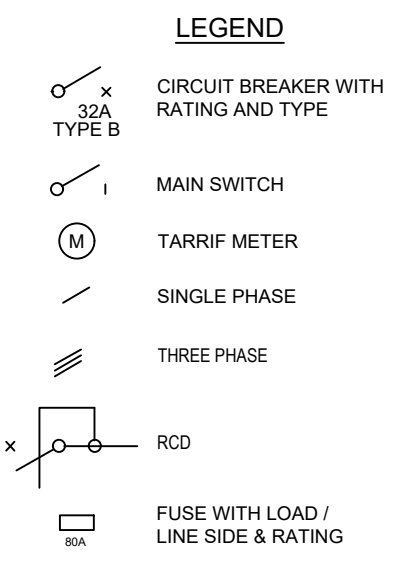
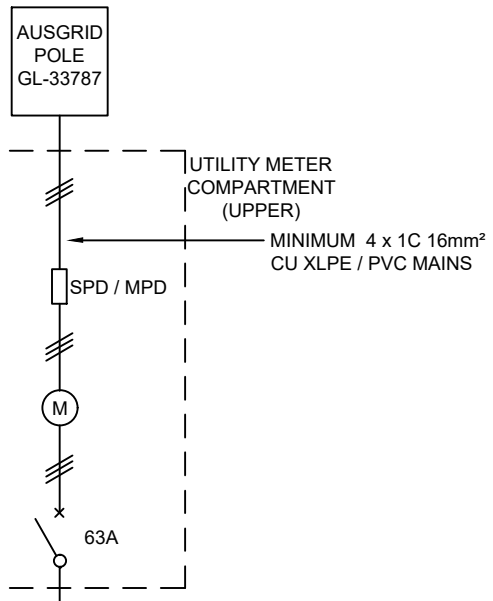
TITLE	NAME	DATE
DRAWN	S. MAPAYO	15.10.20
DESIGN	S. TIEU	15.10.20
CHECKED	M. CHEN	15.10.20

CLIENT

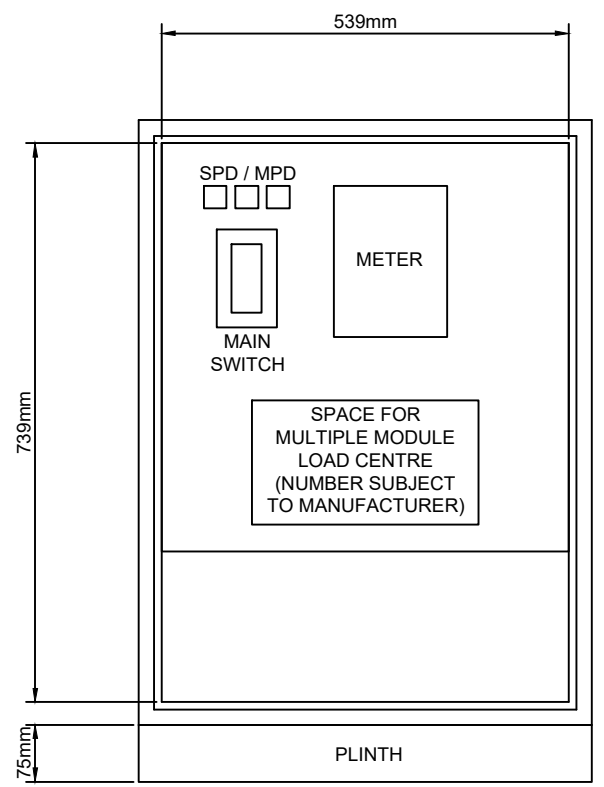
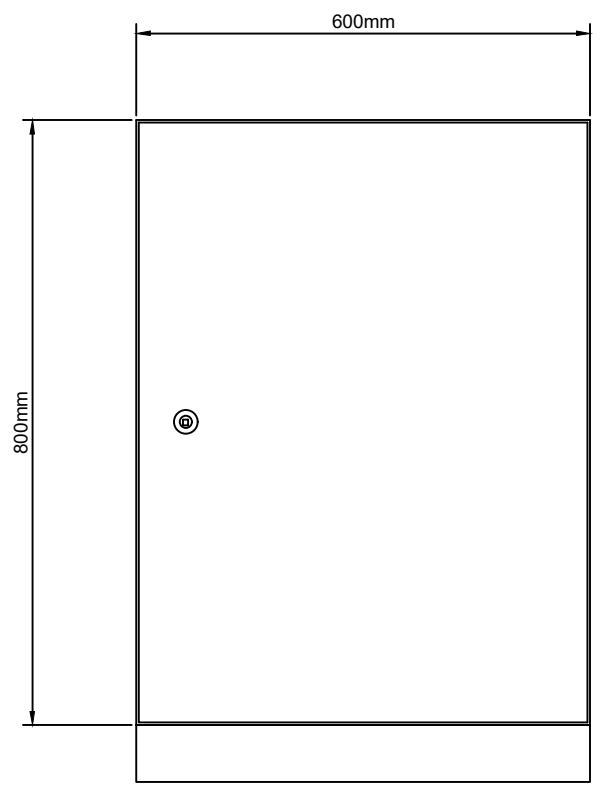
City of Ryde

PREPARED FOR
CITY OF RYDE COUNCIL

CITY OF RYDE COUNCIL	A3
PRIVATE LIGHTING SHRIMPTONS CREEK FOOT PATH BETWEEN BRIDGE RD TO COOK ST, NORTH RYDE COLUMN & FOUNDATION DETAILS	
DOCUMENT No. 21012A	
ISSUE STATUS ISSUE FOR CONSTRUCTION	SHEET No. 04 ISSUE 08

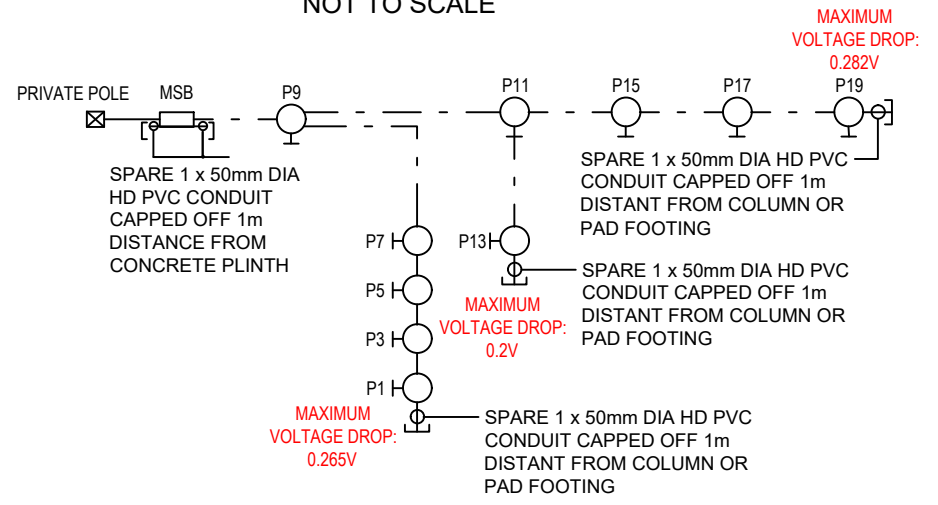


SINGLE LINE DIAGRAM
NOT TO SCALE

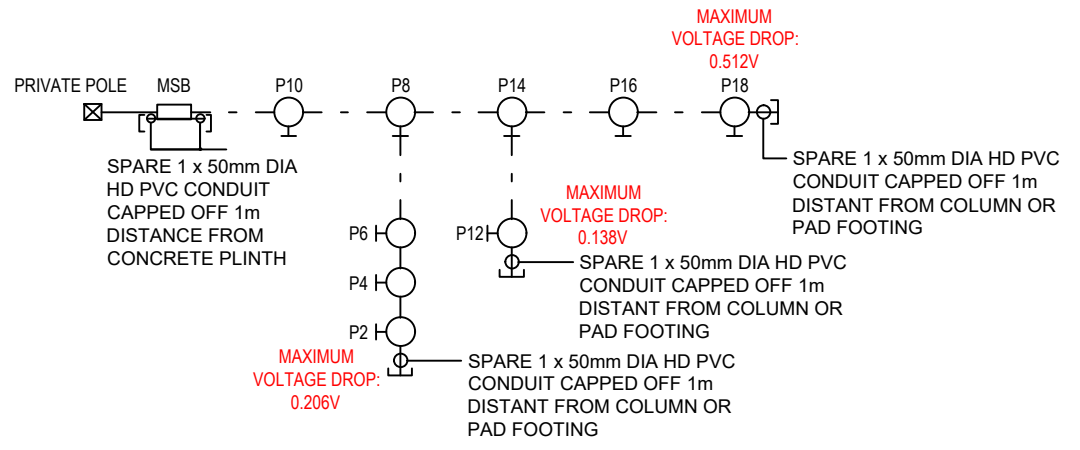


SWITCHBOARD DETAIL
NOT TO SCALE

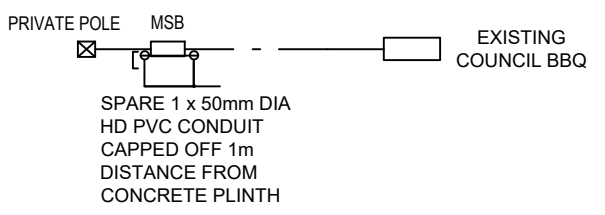
B & R ENCLOSURE SPECIFICATIONS	
Enclosure	IP29214/S
Gal Plinth	IPPC214
Double Hinged Panel	IPHP2421 (Partial Height)
Tamper Proof Screws	IPTPO616/S
SS Swing Handle	IP060S



LIGHTING SUBCIRCUIT 1 DIAGRAM
NOT TO SCALE



LIGHTING SUBCIRCUIT 2 DIAGRAM
NOT TO SCALE



SUBCIRCUIT 3 AND 4 DIAGRAM
NOT TO SCALE

THIS DRAWING MAY BE PREPARED IN COLOUR AND MAY BE INCOMPLETE IF COPIED

TEMPLATE VERSION YYYYMMDD:

REV	DATE	AMENDMENT / REVISION DESCRIPTION	ISSUED BY
01	17-11-20	ISSUED FOR APPROVAL	M.C.
02	15-01-21	DESIGN UPDATE FOR BRIDGE CROSSING DUCTS	M.C.
03	22-01-21	UPDATED ISOLUX PLOTS FOR DESIGN UPDATE AND BACKLIGHT SHIELDS	M.C.
04	19-05-21	UPDATED SET OUT TABLE AND WORKS SCHEDULE	M.C.
05	16-07-21	ADDED: DBYD INFORMATION, EXISTING TREES ALONG PATH. COLUMN AND TRENCH LOCATIONS UPDATED FROM SITE MEETING	M.C.
06	13-08-21	ISSUE FOR TENDER	M.C.
07	19-10-21	UPDATED LIGHTING DESIGN	M.C.
08	08-11-21	UPDATED SCOPE OF WORKS	M.C.

CO-ORDINATE SYSTEM	HEIGHT DATUM
MGA ZONE 56	AHD

ArconaTech
ACN 162 670 957 ABN 13 162 670 957
info@arconatech.com.au
www.arconatech.com.au
PO Box 890 PO Box 78
Liverpool NSW 2170 Wollongong NSW 2520
0448 814 154

TITLE	NAME	DATE
DRAWN	S. MAPAYO	15.10.20
DESIGN	S. TIEU	15.10.20
CHECKED	M. CHEN	15.10.20

CLIENT
City of Ryde
CITY OF RYDE COUNCIL

CITY OF RYDE COUNCIL	DOCUMENT No. 21012A	SHEET No. 05	ISSUE 08
PRIVATE LIGHTING SHRIMPTONS CREEK FOOT PATH BETWEEN BRIDGE RD TO COOK ST, NORTH RYDE SINGLE LINE DIAGRAM	ISSUE STATUS ISSUE FOR CONSTRUCTION		

GENERAL NOTES

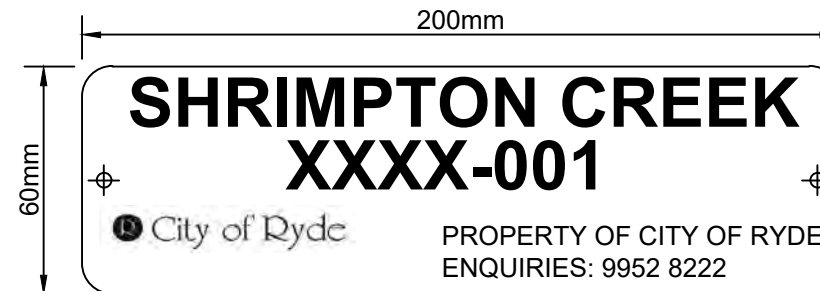
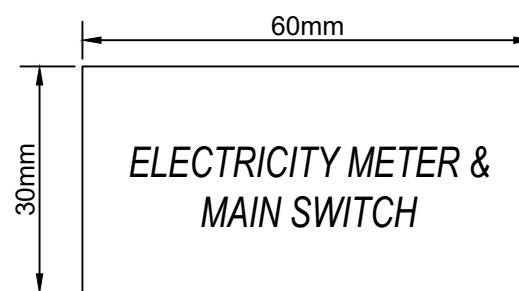
1. THE ELECTRICAL CONTRACTOR IS TO VISIT SITE PRIOR TO PRICING TO SATISFY THEMSELVES OF THE SCOPE OF WORKS.
2. PLANS HAVE BEEN PREPARED BASED ON SITE INVESTIGATION. DETAILED SURVEY HAS NOT BEEN UNDERTAKEN.
3. UPON COMPLETION OF THE WORKS, THE CONTRACTOR IS TO SUPPLY COUNCIL WITH A COPY OF THE WORKS AS EXECUTED (WAE) DRAWINGS. IN PROGRESS WAE DRAWINGS MAY ALSO BE REQUESTED FROM TIME TO TIME BY RYDE COUNCIL FOR CO-ORDINATION PURPOSES.
4. ALL REMOVED & REDUNDANT MATERIALS TO BE APPROPRIATELY DISPOSED OF BY THE CONTRACTOR.
5. WHILE NO RECORDS EXIST TO THE CONTRARY, THE CONTRACTOR SHALL ENSURE APPROPRIATE WORKPLACE SAFETY MEASURES ARE UTILISED IN REGARDS TO WORKING WITH ASBESTOS AND/OR ASBESTOS CONTAINING MATERIALS.
6. ALL WORK IS TO BE COMPLETED IN A PROFESSIONAL AND TRADESMAN LIKE QUALITY.
7. ELECTRICAL AUTHORITY IS AUSGRID.
8. ALL WORK SHALL BE CARRIED OUT IN ACCORDANCE WITH THE CURRENT REVISIONS OF THE BCANCC, AS/NZS 3000, AS/ACIF S009, NSW SERVICE AND INSTALLATION RULES, AUSTRALIAN STANDARDS.
9. THE CONTRACTOR SHALL UNDERTAKE A "DIAL BEFORE YOU DIG" SEARCH FOR EXISTING IN-GROUND SERVICES NO MORE THAN 20 BUSINESS DAYS PRIOR TO EXCAVATION ON SITE. ANY DAMAGE TO EXISTING IN-GROUND SERVICES SHALL BE THE CONTRACTOR'S RESPONSIBILITY.
10. THE EXISTING SERVICES SHOWN IN THE DRAWING PACKAGE HAVE BEEN DOCUMENTED FROM THE SUPPLIED DATA BY THE COUNCIL. ARCONATECH DOES NOT GUARANTEE OR TAKE RESPONSIBILITY OF THE ACCURACY OF THIS INFORMATION.
11. DESIGNER IS TO BE CONTACTED REGARDING ISSUES RAISED WITH THIS DESIGN.
12. THE DESIGN CANNOT BE USED FOR CONSTRUCTION PURPOSES UNTIL THE LOCATION OF ALL EXISTING SERVICES IS VERIFIED.
13. THE INFORMATION PROVIDED IN THIS DESIGN MUST BE CHECKED ON SITE AND THE MOST CURRENT INFORMATION ON THE CONFIGURATION OF ALL SERVICES, INCLUDING AUSGRID'S NETWORK, MUST BE VERIFIED IMMEDIATELY BEFORE CONSTRUCTION COMMENCED BY CONTACTING DIAL-BEFORE-YOU-DIG BY TELEPHONE ON 1100 OR www.1100.com.au
14. FOR DETAILS PLEASE REFER TO CITY OF RYDE DESIGN GUIDE, COUNCIL-OWNED STREET LIGHTING.
15. THE CONTRACTOR TO DISCUSS WITH COUNCIL'S MAINTENANCE CONTRACTOR BEFORE INSTALLATION.
16. ALL CO-ORDINATES PROVIDED ON THIS DESIGN ARE BASED ON AUSGRID'S GIS WHICH IS BASED ON DATA FROM THE LPI. EXACT CO-ORDINATES TO BE CONFIRMED WITH THE CIVIL DRAWINGS AND SITE SURVEY. CADASTRAL SURVEYS MAY BE REQUIRED TO CONFIRM EXACT ASSET LOCATIONS.
17. INCLUDED SERVICE PLANS ARE QL-D. INFORMATION IS THE MOST BASIC LEVEL OF UTILITY LOCATIONS USING ONLY INFORMATION BASED ON EXISTING DIAL-BEFORE-YOU DIG PLANS.

TRENCHING & CABLING

1. ELECTRICAL CONTRACTOR SHALL SAW CUT & EXCAVATE THE EXISTING SURFACE TO INSTALL NEW POLE LUMINAIRES. REINSTATE TRENCH WITH APPROPRIATE BACK FILL & COMPACTION, INCLUDING FINISHING OF TRENCH WITH COLD MIX ASPHALT OR TO MATCH WITH EXISTING FINISH. ALLOW FOR SLIGHT OVER FILL TO AVOID SAGGING. ALLOW FOR THESE WORKS TO BE UNDERTAKEN TO AVOID DISRUPTION DURING NORMAL WORKING DAYS/HOURS.
2. STREET LIGHT MAINS TO HAVE 500mm COVER IN FOOTWAY, 750mm IN ROADWAY.
3. CONTRACTOR TO LIAISE WITH COUNCIL AND AUTHORITIES ON THE UNDERGROUNDING PLACEMENT OF ELECTRICAL CONDUIT.
4. ALL CONDUITS MUST COMPLY WITH RELEVANT SECTIONS OF AS/NZS 2053 AND COUNCIL REQUIREMENT.
5. ALL THE CABLE LAYING TO BE RECORDED IN COMPLIANCE WITH AS/NZS 3000.
6. RADIUS OF BEND OF CABLE TO COMPLY WITH CABLE MANUFACTURE AND COUNCIL REQUIREMENTS.
7. IF ANY EXCAVATION OR U/G WORKS ARE TO BE DONE ALL SURFACES MUST RESTORED TO ORIGINAL STATE UPON COMPLETION OF THE PROJECT.
8. LOCATION OF CONDUITS ON FOOTPATH IS AS PER COUNCIL REQUIREMENT.
9. CONTRACTOR TO LOCATE COMMS CONDUITS AS PER AUSTRALIAN STANDARD AND CITY OF RYDE COUNCIL'S REQUIREMENT.
10. ANY TRENCHING WITHIN 3m OF TREES WILL NEED SITE LIAISON WITH COUNCIL'S TREE MANAGEMENT OFFICERS BEFORE ANY WORKS COMMENCES.
11. TRENCHING ROUTE AND COLUMN LOCATIONS HAS BEEN DETERMINED WITH MULTIPLE SITE WALKS WITH COUNCIL, ARBORIST, AND IN CONJUNCTION OF COMMUNITY CONSULTATIONS.
12. CONTRACTOR TO CONTACT RYDE COUNCIL REGARDING ATTACHMENT METHODOLOGY TO EXISTING STRUCTURAL WALKWAYS.
13. WHERE EXISTING FOOTPATH TRENCHING IS REQUIRED, FOOTPATH TO BE RE-MADE TO RYDE COUNCIL STANDARD CONCRETE FOOTPATH (CIV.5.1)



STREET NAME (13mm)
ASSET LABEL (13mm)
COUNCIL LOGO (10mm)
AND CONTACT & NUMBER (5mm)



STREET NAME (13mm)
ASSET LABEL (13mm)
COUNCIL LOGO (10mm)
AND CONTACT NUMBER (5mm)

ASSET HANDOVER

THE FOLLOWING SHALL BE PROVIDED TO COUNCIL PRIOR TO THE HANDOVER OF THE STREET LIGHTING INSTALLATION AND TRANSFER OF ENERGY ACCOUNT FROM THE DEVELOPER TO COUNCIL:

1. CERTIFICATION FROM A CHARTERED STRUCTURAL ENGINEER (REGISTERED ON THE NER OF ENGINEERS, AUSTRALIA) CONFIRMING THAT THE WORKS HAVE BEEN CONSTRUCTED IN ACCORDANCE WITH COUNCIL-APPROVED DRAWINGS AND CITY OF RYDE'S STANDARDS AND SPECIFICATIONS. THE CERTIFICATE SHALL CONTAIN PHOTOGRAPHS OF THE WORKS IN PROGRESS AND A COMMENTARY OF THE INSPECTED WORKS, INCLUDING ANY DEFICIENCIES AND RECTIFICATIONS THAT WERE UNDERTAKEN;
2. WORKS AS EXECUTED DRAWINGS;
3. A SET OF ACCESS KEYS;
4. MANUFACTURER'S WARRANTIES AND CERTIFICATES;
5. ASSET TAGS ON POLES AND METER BOX AS PER COUNCIL REQUIREMENTS;
6. METER INFORMATION (NMI FROM AUSGRID) AND RELEVANT DETAILS FOR THE TRANSFER OF THE ENERGY ACCOUNT TO COUNCIL NEEDS TO BE COMPLETED ON CCEW.

NOTE: A FINAL INSPECTION FOR THE PURPOSE OF THE HANDOVER TO COUNCIL SHALL BE CONDUCTED IN CONJUNCTION WITH COUNCIL'S ENGINEER, FOLLOWING THE COMPLETION OF THE WORKS. ADDITIONAL INSPECTIONS, IF REQUIRED, ARE SUBJECT TO ADDITIONAL FEES PAYABLE IN ACCORDANCE WITH COUNCIL'S CURRENT SCHEDULE OF FEES AND CHARGES.

PUBLIC LIGHTING SWITCHBOARD TAG SPECIFICATION

1. THE SIZE OF THE PLATE SHALL BE 200mm (LENGTH) X 60mm (HEIGHT).
2. THE TEXT SIZE FOR THE STREET NAME AND FOR "PUBLIC LIGHTING SWITCHBOARD" IS TO BE 13mm TALL AND THE TEXT SIZE FOR "PROPERTY OF CITY OF RYDE, ENQUIRIES: 9952 822" IS TO BE 5mm. THE "CITY OF RYDE LOGO" IS TO BE 10mm TALL.
3. THE PLATE IS TO HAVE A SILVER (STAINLESS STEEL) BACKGROUND WITH BLACK TEXT AND LOGO PRINT.
4. THE LOGO AND TEXT ARE NOT TO BE STICKER LETTERING.
5. THE MATERIAL OF THE PLATE AND THE ADHESIVE BACKING SHALL COMPLY WITH THE REQUIREMENTS OF THE DISTRIBUTION BOARD (GENERALLY STAINLESS STEEL).
6. THE STREET NAME SHALL BE PRINTED WITHOUT ANY ABBREVIATIONS. IF THE STREET NAME IS TOO LONG IT CAN BE PRINTED IN TWO LINES.
7. "PUBLIC LIGHTING SWITCHBOARD" IS TO BE PRINTED IN THE CENTRE OF THE TAG.
8. THE TAG BELOW WITH DIMENSIONS 60mm (LENGTH) X 30mm (HEIGHT) WITH "ELECTRICITY METER & MAIN SWITCH" IS TO BE PLACED ON THE DOOR WITH THE METER WITHIN (THERE MAY BE TWO SEPARATE DOORS - ONE FOR THE METER AND THE OTHER FOR THE DISTRIBUTION BOARD).

LIGHTING POLE TAG SPECIFICATION

GENERAL:

1. THE SIZE OF THE PLATE SHALL BE 200mm (LENGTH MEASURED ALONG THE CURVATURE OF THE POLE) x 60mm (HEIGHT).
2. THE PLATE IS TO HAVE A SILVER (ALUMINIUM) BACKGROUND WITH BLACK TEXT AND LOGO PRINT.
3. THE LOGO AND TEXT ARE NOT TO BE STICKER LETTERING.
4. THE PLATE SHALL BE CURVED TO SUITE THE CURVATURE OF THE POLE.
5. THE MATERIAL OF THE PLATE AND RIVETS SHALL COMPLY WITH THE REQUIREMENTS OF THE POLE MANUFACTURER (GENERALLY ANODISED ALUMINIUM).
6. THE STREET NAME SHALL BE PRINTED WITHOUT ANY ABBREVIATIONS. IF THE STREET NAME IS TOO LONG, IT CAN BE PRINTED IN TWO LINES.
7. THE TEXT SIZE FOR THE STREET NAME AND FOR "POLE/ASSET NUMBER" IS TO BE 13mm TALL. THE TEXT SIZE FOR "PROPERTY OF CITY OF RYDE AND ENQUIRIES: 9952 8222" IS TO BE 5mm.
8. THE "CITY OF RYDE LOGO" IS TO BE 10mm TALL.
9. THE ASSET INDEX IS COMPILED VIA THE FOLLOWING RULES:
STREET LIGHTS
ASSET INDEX (STREET INDEX - 000) IS MADE UP BY COMBINING THE FOLLOWING TWO:
1. STREET INDEX - IS A FOUR-DIGIT NUMBER GIVEN TO EACH STREET BY COUNCIL'S ASSET SYSTEMS DEPARTMENT.
2. 000 - A THREE-DIGIT SEQUENTIAL NUMBER PROVIDED BY COUNCIL'S ASSET SYSTEMS DEPARTMENT.

THIS DRAWING MAY BE PREPARED IN COLOUR AND MAY BE INCOMPLETE IF COPIED

50mm ON A3 SIZE ORIGINAL

TEMPLATE VERSION YYYYMMDD:				PLOT DATE / TIME 21/05/2021 12:58:57 PM		PLOT BY Sean		CLIENT CITY OF RYDE COUNCIL		A3		
REV	DATE	AMENDMENT / REVISION DESCRIPTION	ISSUED BY	SCALES ON A3 SIZE DRAWING	DRAWINGS / DESIGN PREPARED BY		TITLE	NAME	DATE	CITY OF RYDE COUNCIL		
01	17-11-20	ISSUED FOR APPROVAL	M.C.	NOT TO SCALE	ArconaTech ACN 162 670 957 ABN 13 162 670 957 E info@arconatech.com.au W www.arconatech.com.au M PO Box 890 PO Box 78 P Liverpool NSW 2170 Wollongong NSW 2520 0448 814 154		DRAWN	S. MAPAYO	15.10.20	PRIVATE LIGHTING SHRIMPTONS CREEK FOOT PATH BETWEEN BRIDGE RD TO COOK ST, NORTH RYDE GENERAL NOTES		
02	15-01-21	DESIGN UPDATE FOR BRIDGE CROSSING DUCTS	M.C.				DESIGN	S. TIEU	15.10.20			
03	22-01-21	UPDATED ISOLUX PLOTS FOR DESIGN UPDATE AND BACKLIGHT SHIELDS	M.C.				CHECKED	M. CHEN	15.10.20			
04	19-05-21	UPDATED SET OUT TABLE AND WORKS SCHEDULE	M.C.				PREPARED FOR		CITY OF RYDE COUNCIL			
05	16-07-21	ADDED: DBYD INFORMATION, EXISTING TREES ALONG PATH. COLUMN AND TRENCH LOCATIONS UPDATED FROM SITE MEETING	M.C.				CO-ORDINATE SYSTEM		DOCUMENT No.		21012A	
06	13-08-21	ISSUE FOR TENDER	M.C.				HEIGHT DATUM		ISSUE STATUS		ISSUE FOR CONSTRUCTION	
07	19-10-21	UPDATED LIGHTING DESIGN	M.C.				MGA ZONE 56		SHEET No.		06	
08	08-11-21	UPDATED SCOPE OF WORKS	M.C.				AHD		ISSUE		08	

LIGHTING DESIGN

1. ALL LUMINAIRES TO BE INSTALLED IN ACCORDANCE WITH THE MANUFACTURERS REQUIREMENTS AND SPECIFICATIONS.
2. LIGHTING EQUIPMENT, LOCATION AND TYPES MAY NOT BE SUBSTITUTED WITHOUT PRIOR CONSENT AND APPROVAL OF THE DESIGNER. REFER IMAGE OF PROPOSED LUMINAIRE BELOW
3. COLOUR/FINISH OF ALL LIGHT FITTINGS, TRIMS, LENSES AND ACCESSORIES TO BE APPROVED BY THE COUNCIL. CONTRACTOR SHALL PROVIDE SAMPLES OF LIGHT FITTINGS PRIOR TO PROCUREMENT.
4. NEW POLE LUMINAIRES ARE TO BE LOCATED TO AVOID CLASHES WITH EXISTING TREES. CONFIRM LOCATION WITH LIGHTING DESIGNER PRIOR TO INSTALLATION. WHERE TREE BRANCHES ARE REQUIRED TO BE TRIMMED, THE AUTHORIZED PERSON IS TO BE ADVISED PRIOR TO ANY WORKS.



PROPOSED LUMINAIRE
I-TRON ZERO 0C6 STA1 3.54 - 2M VEX 3000K
W/ BACK SHIELD, NEMA ON TOP, ZHAGA ON BOTTOM

LOCKING

1. ALL STREET LIGHT SWITCHBOARDS SHALL BE LOCKED WITH A UNIQUE ABLOY KEY PADLOCK, AS DETAILED BELOW:

Integrity ABLOY Key for all Street Lighting Switchboards

Master Key number associated with Registration Card 26060520 AUVG

INTEGRITY LOCKSMITHS AND SECURITY
Utilities Security Key System

Phone:
1300 664 582
1300 366 488

Fax:
1300 664 682

SWITCHBOARD

CUBICLE:

1. 2.0mm FOLDED AND WELDED STAINLESS STEEL SHEET CONSTRUCTION, SWITCHBOARD CABINET IS TO BE BASE MOUNTED VIA HOT DIPPED GALVANISED CHANNEL IRON PLINTH.
2. ESCUTCHEON SECURED TO CABINET WITH DOME NUTS.
3. DOORS ARE SWUNG ON CHROME PLATED PINTLE HINGES AND FIXED WITH SWING HANDLES.
4. 3mm ALUMINUM GLAND PLATES FITTED TO BASE OF SWITCHBOARD.

FINISH:

1. SHEETMETAL TO BE DEGREASED WITH SOLVENT, PHOSPHORIC ACID WASHED, AND CLEANED WITH 180 GRIT PAPER. ELECTROSTATIC POLYESTER POWDER TO BE APPLIED AS FOLLOWS;
CABINET EXTERIOR - ORBITAL FINISH
CABINET INTERIOR - GLOSS WHITE
ESCUTCHEONS - GLOSS WHITE
PLINTH - 75mm HOT DIPPED GALVANISED

LABELS:

1. LABELS ARE TO BE MACHINE ENGRAVED FROM 'GRAVOPLY' LAMINATE AND FIXED TO THE SWITCHBOARD METALWORK USING M3 SCREWS.

BUSBARS:

1. NEUTRAL AND EARTH BARS TO BE LOCATED IN A POSITION WHERE THEY WILL NOT BE OBSTRUCTED BY SUBMAIN CABLES.
2. NEUTRAL BAR TO BE FULL RATING OF ACTIVES.
3. NEUTRAL AND EARTH TERMINATIONS TO BE NUMBERED TO CORRESPOND WITH RESPECTIVE SUBCIRCUIT NUMBERS THAT APPEAR ON LABELS.

SPECIFICATIONS:

1. SWITCHBOARD MANUFACTURED TO AS 61439.2
2. FORM 2B SEPARATION TO AS 61439.2.
3. IP66 CONSTRUCTION TO AS 60529.
4. FAULT LEVEL - 10ka FOR 1 SEC COMMERCIAL & INDUSTRIAL AREAS REQUIRE 25ka AS PER NSW SIR.
5. 415 VOLT, 50Hz M.E.N. LINK SYSTEM.
6. MAINS CABLES - BOTTOM ENTRY VIA 3mm ALUMINUM GLAND PLATE.
7. SUBMAINS CABLES - BOTTOM EXIT VIA 3mm ALUMINUM GLAND PLATE.

SUBCIRCUITS

1. 3-PHASE CB OR LINKED 1-PHASE CBS MUST BE UTILISED. THE USE OF UNLINKED 1-PH CBS IS NOT PERMITTED BY AS 3000.

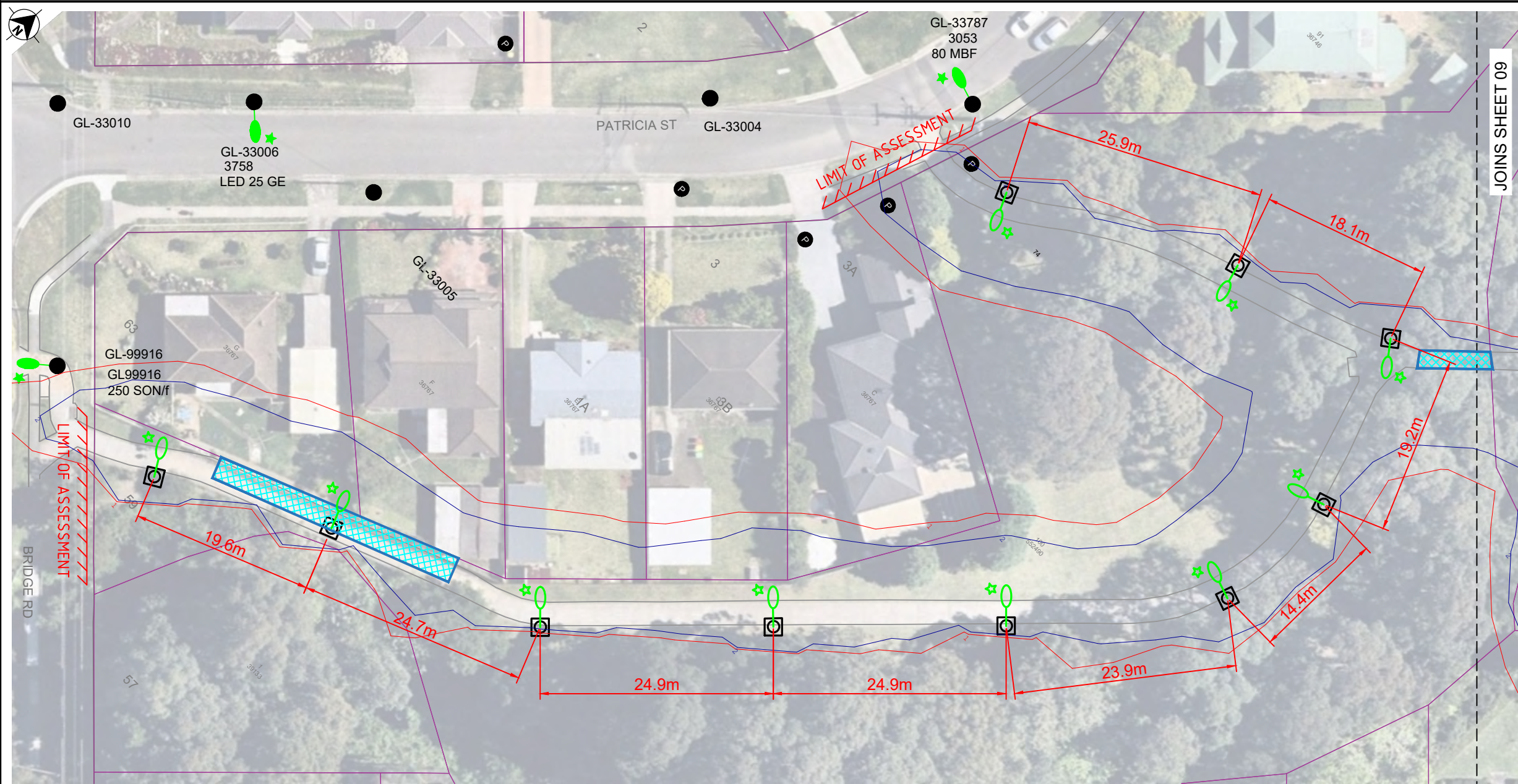
FOUNDATION & COLUMN

1. STRAIGHT PILE IS STANDARD. CANTILEVERED IF SITE CONSTRAINTS REQUIRE IT - SUBMIT PROOF THIS FOOTING IS REQUIRED. THIS FOOTING MUST BE PREPARED BY A QUALIFIED STRUCTURAL ENGINEER REFERRED ON THE NER OF AUSTRALIA AND PROVIDED TO COUNCIL FOR REVIEW AND APPROVAL PRIOR TO THE INSTALLATION.
2. CENTER OF ALL LIGHTS TO SIT 225mm BEHIND THE FOOTPATH UNLESS OTHERWISE NOTED ON THE DESIGN.
3. ALL POLES TO BE BLACK WITH MARINE GRADE PAINT FINISH.

THIS DRAWING MAY BE PREPARED IN COLOUR AND MAY BE INCOMPLETE IF COPIED

50mm ON A3 SIZE ORIGINAL

TEMPLATE VERSION YYYYMMDD:				PLOT DATE / TIME 21/05/2021 12:59:16 PM		PLOT BY Sean		CLIENT CITY OF RYDE COUNCIL		CITY OF RYDE COUNCIL		A3				
REV	DATE	AMENDMENT / REVISION DESCRIPTION	ISSUED BY	SCALES ON A3 SIZE DRAWING	DRAWINGS / DESIGN PREPARED BY			TITLE	NAME	DATE	City of Ryde					
01	17-11-20	ISSUED FOR APPROVAL	M.C.	NOT TO SCALE	ArconaTech ACN 162 670 957 ABN 13 162 670 957 info@arconatech.com.au www.arconatech.com.au PO Box 890 PO Box 78 Liverpool NSW 2170 Wollongong NSW 2520 0448 814 154			DRAWN	S. MAPAYO	15.10.20	PRIVATE LIGHTING SHRIMPTONS CREEK FOOT PATH BETWEEN BRIDGE RD TO COOK ST, NORTH RYDE GENERAL NOTES					
02	15-01-21	DESIGN UPDATE FOR BRIDGE CROSSING DUCTS	M.C.					DESIGN	S. TIEU	15.10.20						
03	22-01-21	UPDATED ISOLUX PLOTS FOR DESIGN UPDATE AND BACKLIGHT SHIELDS	M.C.					CHECKED	M. CHEN	15.10.20						
04	19-05-21	UPDATED SET OUT TABLE AND WORKS SCHEDULE	M.C.					CO-ORDINATE SYSTEM MGA ZONE 56			PREPARED FOR CITY OF RYDE COUNCIL			DOCUMENT No. 21012A		
05	16-07-21	ADDED: DBYD INFORMATION, EXISTING TREES ALONG PATH. COLUMN AND TRENCH LOCATIONS UPDATED FROM SITE MEETING	M.C.					HEIGHT DATUM AHD			ISSUE STATUS			SHEET No. 07		
06	13-08-21	ISSUE FOR TENDER	M.C.					P			ISSUE FOR CONSTRUCTION			08		
07	19-10-21	UPDATED LIGHTING DESIGN	M.C.													
08	08-11-21	UPDATED SCOPE OF WORKS	M.C.													



JOINS SHEET 09

LIGHTING DESIGN
SCALE 1:500

NOTE:
INSTALL A PIR5 ST Zhaga Sensor AND esave SLC-Move MODULE ON EACH POLE LUMINAIRE.

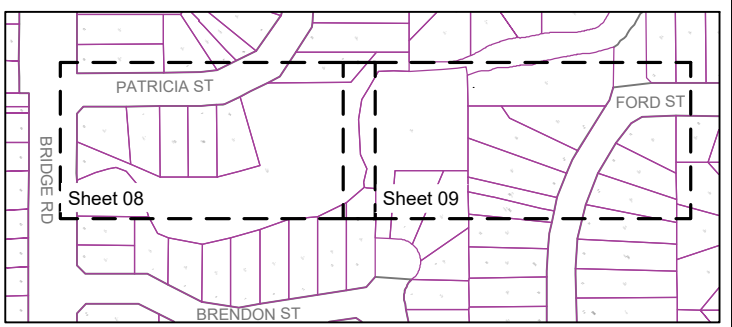
LEGEND	
2.0 LUX MAINTAINED	
1.0 LUX MAINTAINED	

Shrimpton Creek lighting is designed to Australian Standard AS1158:2020 Lighting for Roads and Public Spaces, with pedestrian illuminance category PP2.

LIGHTING CALCULATION RESULTS HAS BEEN PROVIDED BY HBW LIGHTING

STREET LIGHTING DESIGN DETAILS

REF. IDENTIFIER	ASSET NUMBER	SL POLE TYPE	COLUMN SIZE (m)	MOUNTING METHOD	OUTREACH (m)	HEIGHT OF LUMINAIRE (m)	LUMINAIRE TYPE	LUMINAIRE SIZE (W)	LUMENS (lm)	ADDITIONAL DESIGN DETAIL
		5m GM POLE	5	RAGBOLT*	0	5	I-TRON ZERO 0C6 STA1 3.54-2M VEX 3000K W/ BACK SHIELD, NEMA ON TOP, ZHAGA ON BOTTOM	21.5	1860	



KEY PLAN
NTS

NOTE*
REFER TO STRUCTURAL ENGINEER'S DRAWING "SWP# 2103239" FOR THE CANTILEVER FOOTING DESIGN AT POLE 2.

FOR CONSTRUCTION

REV DATE AMENDMENT / REVISION DESCRIPTION 01 17-11-20 ISSUED FOR APPROVAL 02 15-01-21 DESIGN UPDATE FOR BRIDGE CROSSING DUCTS 03 22-01-21 UPDATED ISOLUX PLOTS FOR DESIGN UPDATE AND BACKLIGHT SHIELDS 04 19-05-21 UPDATED SET OUT TABLE AND WORKS SCHEDULE 05 16-07-21 ADDED: DBYD INFORMATION, EXISTING TREES ALONG PATH. COLUMN AND TRENCH LOCATIONS UPDATED FROM SITE MEETING 06 13-08-21 ISSUE FOR TENDER 07 19-10-21 UPDATED LIGHTING DESIGN 08 08-11-21 UPDATED SCOPE OF WORKS		ISSUED BY M.C. M.C. M.C. M.C. M.C. M.C. M.C. M.C.		SCALES ON A3 SIZE DRAWING SCALE BAR 1:500 CO-ORDINATE SYSTEM MGA ZONE 56 HEIGHT DATUM AHD		DRAWINGS / DESIGN PREPARED BY ArconaTech ACN 162 670 957 ABN 13 162 670 957 info@arconatech.com.au www.arconatech.com.au PO Box 890 PO Box 78 Liverpool NSW 2170 Wollongong NSW 2520 0448 814 154		PLOT DATE / TIME 21/05/2021 12:59:38 PM PLOT BY Sean		CLIENT City of Ryde CITY OF RYDE COUNCIL		CITY OF RYDE COUNCIL PRIVATE LIGHTING SHRIMPTONS CREEK FOOT PATH BETWEEN BRIDGE RD TO COOK ST, NORTH RYDE LIGHTING CERTIFICATION - LUX DIAGRAM DOCUMENT No. 21012A ISSUE STATUS ISSUE FOR CONSTRUCTION		SHEET No. 08 ISSUE 08 © ArconaTech Pty Ltd	
---------------------------------------------------------------------------------------------------------------------------------------------------------------------------------------------------------------------------------------------------------------------------------------------------------------------------------------------------------------------------------------------------------------------------------------------------------------------------------------------------------------------------------------------------	--	---------------------------------------------------------------------------	--	--------------------------------------------------------------------------------------------------------------	--	-------------------------------------------------------------------------------------------------------------------------------------------------------------------------------------------------------------------------------------	--	---------------------------------------------------------------	--	-------------------------------------------------------	--	------------------------------------------------------------------------------------------------------------------------------------------------------------------------------------------------------------------------------------	--	---------------------------------------------------------------	--

THIS DRAWING MAY BE PREPARED IN COLOUR AND MAY BE INCOMPLETE IF COPIED

50mm ON A3 SIZE ORIGINAL

P Category Lighting - AS/NZS 1158.3.1:2005

HBW Lighting

I-table Filename: C:\Users\steve\Desktop\I-TRON Zero 0C6 STA1 3.54-2
 M VEX AEP.cie

Job Name: Shrimptons Creek

Luminaire Description: I-TRON Zero 0C6 STA1 1860 lms

Initial Lamp Flux: 1860 lms

Maintenance Factor: 0.8

Stores Code:

Upcast Angle: 0 degrees

Arrangement: Staggered

Offset Distance: 0 m

Upward Waste Light Ratio: .0 %

Light Source: LED - Light Emitting Diode

Luminaire Classification: Not specified

Lighting Category: User Defined

Illuminance Criteria: Average Illuminance (Eav) >= 7.00 lx
 (Maintained values) Minimum Illuminance (Eph) >= 1.00 lx
 Illuminance Uniformity (Up) <= 5
 Vertical Illuminance (Epv) >= 0.30 lx
 (Epv calculated on plane 1.5m above ground
 and contribution from luminaire in adjacent
 span used in calculations)

Calculation Grid: Dependant on Path width (refer Figure 3.8
 of AS/NZS 1158.2)

Mounting Height	Maximum Spacing for different Path Widths
-----	-----
2.5	
+-----+	
5.0 26.0	
+-----+	

Value/s in above table are all in metres.
 The table contains maximum spacings which, for the specified luminaire and lamp combination, provide compliance with the User Defined light technical parameters (LTPs) nominated above.
 Refer next page for list of LTP's at compliant maximum spacings.
 Refer following page/s for illuminance values at grid points.

Light Technical Parameters at Maximum Spacing

Mounting Path Height (m)	Maximum Width (m)	Eav Spacing (m)	Eav (lx)	Eph (lx)	Up (E _{max} /E _{av})	E _{max} (lx)	E _v (lx)
5.0	2.5	26.0	7.59	4.32	3	20.74	0.3

Horizontal Illuminance Values over Calculation Grid

Mounting Height = 5.0m Path Width = 2.5m Spacing = 26.0m

<---- Grid across path ---->

(Luminaire 1)

.	.
13.44	13.86
6.95	7.56
5.24	5.07
5.14	4.96
4.42	4.48
4.32	4.38
4.38	4.32
4.48	4.42
4.96	5.14
5.07	5.24
7.56	6.95
13.86	13.44
20.74	16.85

(Luminaire 2)

Vertical Illuminance Values over Calculation Grid

(Luminaire 1)

.	.
11.16	12.38
11.49	10.74
14.93	12.93
12.08	12.36
9.94	10.91
7.41	7.83
5.05	5.09
3.29	3.17
2.04	1.89
1.27	1.12
.84	.73
.55	.47
.35	.30

(Luminaire 2)

NOTE: Values in above table are in Lux (rounded to 2 decimal places).
 Line of grid points across path, at Luminaire 1, not included in determining compliance (refer Figure 3.8 AS/NZS 1158.2).

THIS DRAWING MAY BE PREPARED IN COLOUR AND MAY BE INCOMPLETE IF COPIED

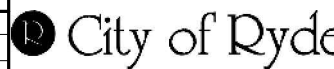
50mm ON A3 SIZE ORIGINAL

REV	DATE	AMENDMENT / REVISION DESCRIPTION	ISSUED BY
01	17-11-20	ISSUED FOR APPROVAL	M.C.
02	15-01-21	DESIGN UPDATE FOR BRIDGE CROSSING DUCTS	M.C.
03	22-01-21	UPDATED ISOLUX PLOTS FOR DESIGN UPDATE AND BACKLIGHT SHIELDS	M.C.
04	19-05-21	UPDATED SET OUT TABLE AND WORKS SCHEDULE	M.C.
05	16-07-21	ADDED: DBYD INFORMATION, EXISTING TREES ALONG PATH. COLUMN AND TRENCH LOCATIONS UPDATED FROM SITE MEETING	M.C.
06	13-08-21	ISSUE FOR TENDER	M.C.
07	19-10-21	UPDATED LIGHTING DESIGN	M.C.
08	08-11-21	UPDATED SCOPE OF WORKS	M.C.

NOT TO SCALE

ArconaTech
 ACN 162 670 957 ABN 13 162 670 957
 info@arconatech.com.au
 www.arconatech.com.au
 PO Box 890 PO Box 78
 Liverpool NSW 2170 Wollongong NSW 2520
 0448 814 154

TITLE	NAME	DATE
DRAWN	S. MAPAYO	15.10.20
DESIGN	S. TIEU	15.10.20
CHECKED	M. CHEN	15.10.20

CLIENT

 CITY OF RYDE COUNCIL

CITY OF RYDE COUNCIL	PRIVATE LIGHTING SHRIMPTONS CREEK FOOT PATH BETWEEN BRIDGE RD TO COOK ST, NORTH RYDE LIGHTING CERTIFICATION - SOFTWARE OUT PUT	A3
DOCUMENT No. 21012A	ISSUE STATUS FOR APPROVAL	SHEET No. 10 ISSUE 08

P Category Lighting - AS/NZS 1158.3.1:2005

HBW Lighting

I-table Filename: C:\Users\steve\Desktop\I-TRON Zero 0C6 STA1 3.54-2
 M VEX AEP.cie

Job Name: Shrimptons Creek

Luminaire Description: I-TRON Zero 0C6 STA1 1860 lms

Initial Lamp Flux: 1860 lms

Maintenance Factor: 0.8

Stores Code:

Upcast Angle: 0 degrees

Arrangement: Single Side

Offset Distance: 0 m

Upward Waste Light Ratio: .0 %

Light Source: LED - Light Emitting Diode

Luminaire Classification: Not specified

Lighting Category: User Defined

Illuminance Criteria: Average Illuminance (Eav) >= 7.00 lx
 (Maintained values) Minimum Illuminance (Eph) >= 1.00 lx
 Illuminance Uniformity (Up) <= 5
 Vertical Illuminance (Epv) >= 0.30 lx
 (Epv calculated on plane 1.5m above ground
 and contribution from luminaire in adjacent
 span used in calculations)

Calculation Grid: Dependant on Path width (refer Figure 3.8
 of AS/NZS 1158.2)

Mounting Height	Maximum Spacing for different Path Widths
-----	-----
2.5	
+-----+	
5.0 25.9	
+-----+	

Value/s in above table are all in metres.
 The table contains maximum spacings which, for the specified luminaire and lamp combination, provide compliance with the User Defined light technical parameters (LTPs) nominated above.
 Refer next page for list of LTP's at compliant maximum spacings.
 Refer following page/s for illuminance values at grid points.

-----PlePcat

Light Technical Parameters at Maximum Spacing

Mounting Height (m)	Path Width (m)	Maximum Spacing (m)	Eav (lx)	Eph (lx)	Up (Eav/Eav)	Emax (lx)	Ev (lx)
5.0	2.5	25.9	7.59	4.21	3	20.73	0.3

Horizontal Illuminance Values over Calculation Grid

 Mounting Height = 5.0m Path Width = 2.5m Spacing = 25.9m
 -----Grid

<---- Grid across path ---->

(Luminaire 1)

.	.
13.47	13.85
6.99	7.54
5.26	5.05
5.15	4.96
4.38	4.53
4.21	4.50
4.21	4.50
4.38	4.53
5.15	4.96
5.26	5.05
6.99	7.54
13.47	13.85
16.86	20.73

(Luminaire 2)

Vertical Illuminance Values over Calculation Grid

(Luminaire 1)

.	.
11.20	12.34
11.51	10.71
14.96	12.91
12.10	12.34
9.96	10.91
7.43	7.84
5.06	5.10
3.31	3.17
2.05	1.89
1.28	1.12
.85	.73
.55	.47
.35	.30

(Luminaire 2)

NOTE: Values in above table are in Lux (rounded to 2 decimal places).
 Line of grid points across path, at Luminaire 1, not included in determining compliance (refer Figure 3.8 AS/NZS 1158.2).

THIS DRAWING MAY BE PREPARED IN COLOUR AND MAY BE INCOMPLETE IF COPIED

50mm ON A3 SIZE ORIGINAL

TEMPLATE VERSION YYYYMMDD:				PLOT DATE / TIME 21/05/2021 1:00:20 PM		PLOT BY Sean		CLIENT CITY OF RYDE COUNCIL		CITY OF RYDE COUNCIL		A3		
REV	DATE	AMENDMENT / REVISION DESCRIPTION	ISSUED BY	SCALES ON A3 SIZE DRAWING	DRAWINGS / DESIGN PREPARED BY		TITLE	NAME	DATE	City of Ryde				
01	17-11-20	ISSUED FOR APPROVAL	M.C.	NOT TO SCALE	ArconaTech ACN 162 670 957 ABN 13 162 670 957 info@arconatech.com.au www.arconatech.com.au PO Box 890 PO Box 78 Liverpool NSW 2170 Wollongong NSW 2520 0448 814 154		DRAWN	S. MAPAYO	15.10.20	PRIVATE LIGHTING				
02	15-01-21	DESIGN UPDATE FOR BRIDGE CROSSING DUCTS	M.C.				DESIGN	S. TIEU	15.10.20	SHRIMPTONS CREEK FOOT PATH				
03	22-01-21	UPDATED ISOLUX PLOTS FOR DESIGN UPDATE AND BACKLIGHT SHIELDS	M.C.				CHECKED	M. CHEN	15.10.20	BETWEEN BRIDGE RD TO COOK ST, NORTH RYDE				
04	19-05-21	UPDATED SET OUT TABLE AND WORKS SCHEDULE	M.C.				PREPARED FOR		CITY OF RYDE COUNCIL			LIGHTING CERTIFICATION - SOFTWARE OUT PUT		
05	16-07-21	ADDED: DBYD INFORMATION, EXISTING TREES ALONG PATH. COLUMN AND TRENCH LOCATIONS UPDATED FROM SITE MEETING	M.C.				DOCUMENT No.		21012A			FOR APPROVAL		
06	13-08-21	ISSUE FOR TENDER	M.C.				ISSUE STATUS		FOR APPROVAL			SHEET No.		
07	19-10-21	UPDATED LIGHTING DESIGN	M.C.				11		08			© ArconaTech Pty Ltd		
08	08-11-21	UPDATED SCOPE OF WORKS	M.C.				MGA ZONE 56		HEIGHT DATUM		AHD			