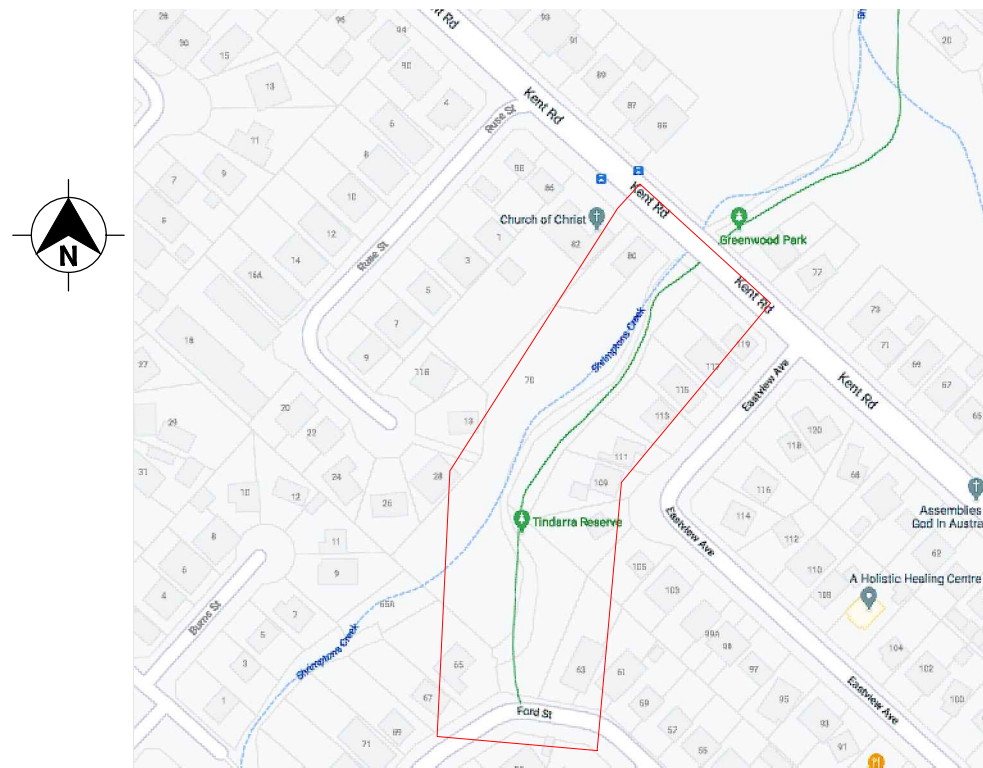


CHECK FOR OTHER SERVICES BEFORE BORING OR EXCAVATING



PUBLIC LIGHTING DESIGN SHRIMPTONS CREEK BETWEEN FORD STREET AND KENT ROAD DETAILED LIGHTING DESIGN



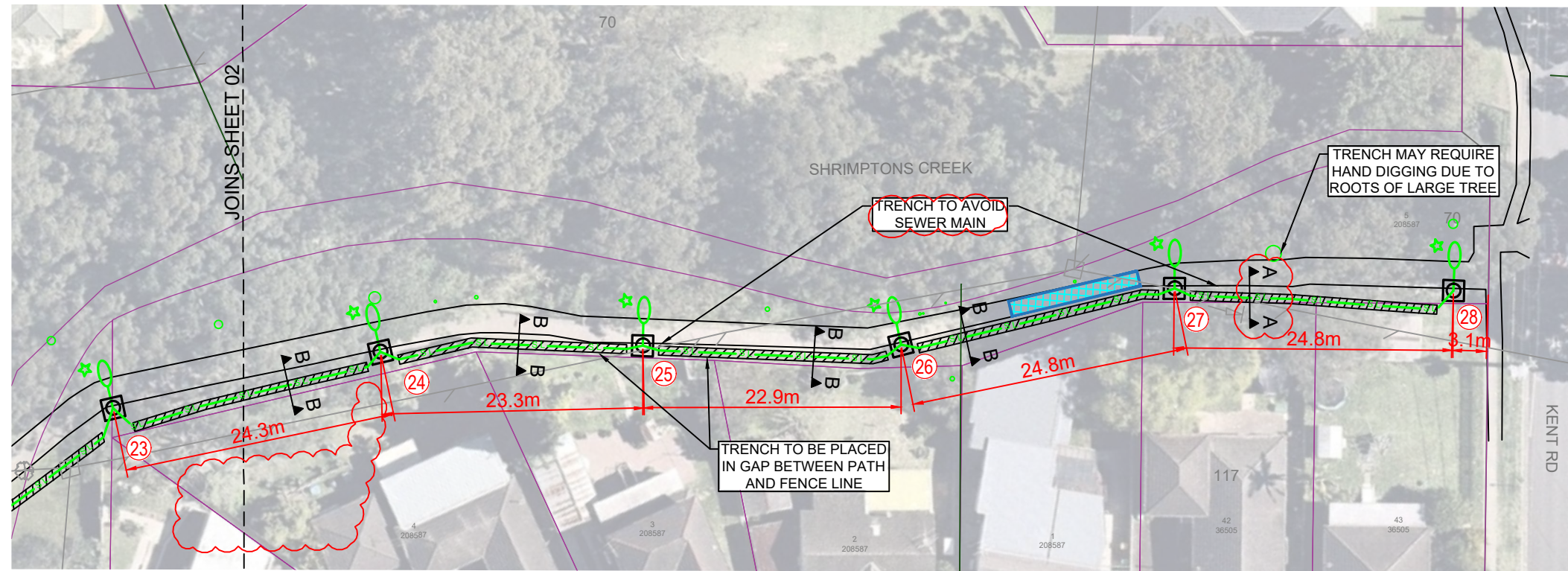
LOCALITY PLAN © GOOGLE MAPS

SHEET INDEX		
SHEET NUMBER	DESCRIPTION	REV
1	COVER SHEET	08
2	SITE PLAN 01	08
3	SITE PLAN 02	08
4	COLUMN & FOUNDATION DETAILS	08
5	SINGLE LINE DIAGRAM & MSB DETAILS	08
6	GENERAL NOTES	08
7	GENERAL NOTES	08
8	LIGHTING CERTIFICATION - LUX DIAGRAM	08
9	LIGHTING CERTIFICATION - LUX DIAGRAM	08
10	LIGHTING CERTIFICATION - SOFTWARE OUT PUT	08
11	LIGHTING CERTIFICATION - SOFTWARE OUT PUT	08

FOR CONSTRUCTION

THIS DRAWING MAY BE PREPARED IN COLOUR AND MAY BE INCOMPLETE IF COPIED

TEMPLATE VERSION YYYYMMDD: 01 17-11-20 ISSUED FOR APPROVAL 02 15-01-21 DESIGN UPDATE FOR BRIDGE CROSSING DUCTS 03 22-01-21 UPDATED ISOLUX PLOTS FOR DESIGN UPDATE AND BACKLIGHT SHIELDS 04 19-05-21 UPDATED SET OUT TABLE AND WORKS SCHEDULE 05 16-07-21 ADDED: DBYD INFORMATION, EXISTING TREES ALONG PATH. COLUMN AND TRENCH LOCATIONS UPDATED FROM SITE MEETING 06 05-08-21 ISSUE FOR TENDER 07 19-10-21 UPDATED LIGHTING DESIGN 08 08-11-21 UPDATED SCOPE OF WORKS		ISSUED BY M.C. M.C. M.C. M.C. M.C. M.C. M.C.	SCALES ON A3 SIZE DRAWING NOT TO SCALE CO-ORDINATE SYSTEM MGA ZONE 56 HEIGHT DATUM AHD	DRAWINGS / DESIGN PREPARED BY ArconaTech ACN 162 670 957 ABN 13 162 670 957 info@arconatech.com.au www.arconatech.com.au PO Box 890 PO Box 78 Liverpool NSW 2170 Wollongong NSW 2520 0448.814.154	PLOT DATE / TIME 21/05/2021 12:51:43 PM PLOT BY FARRAH	CLIENT City of Ryde	CITY OF RYDE COUNCIL PRIVATE LIGHTING BETWEEN FORD ST AND KENT RD SHRIMPTONS CREEK, NORTH RYDE COVER SHEET DOCUMENT No. 21012B ISSUE STATUS ISSUE FOR CONSTRUCTION	A3 SHEET No. 01 REV. 08 © ArconaTech Pty Ltd
--	--	---	--	--	---	------------------------	--	--



SITE PLAN
SCALE 1:500

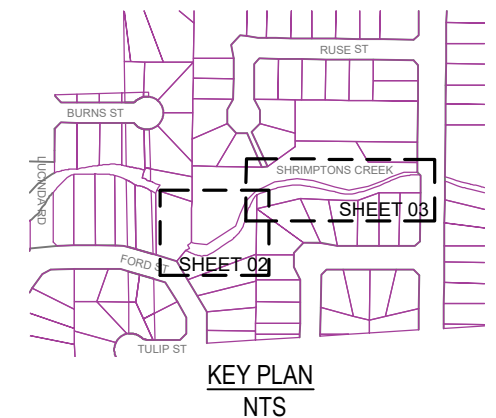
- LEGEND**
- EXISTING AUSGRID POLE
 - PROPOSED CITY OF RYDE POLE
 - PROPOSED CITY OF RYDE DUCT ROUTE
 - PROPOSED CITY OF RYDE SL CABLE ROUTE
 - PROPOSED SERVICE MAINS
 - PROPOSED SERVICE UG OH
 - PROPOSED MAIN SWITCH BOARD
 - STRUCTURAL WALKWAY
 - TREE

NOTE:
BUNTING TO BE USED TO MARK WORK AREA

WARNING:
SYDNEY WATER ASSETS IN PROPOSED WORKS AREA

NOTE:
DETOUR SIGNAGE TO BE PREPARED PRIOR TO CONSTRUCTION COMMENCING

WORKS SCHEDULE			
REF. IDENTIFIER	ROUTE DISTANCE (m)	CONDUCTOR OR ASSET DETAIL	CONSTRUCTION DETAIL
23 - 24	22m	2 x 50mm CONDUITS	TRENCH AND INSTALL CONDUITS AS PER ASSOCIATED TRENCH CROSS SECTION
24 - 25	21m		
25 - 26	20m		
26 - 27	22m		
27 - 28	22m	1 x 50mm CONDUITS	TRENCH AND INSTALL CONDUITS AS PER ASSOCIATED TRENCH CROSS SECTION
23 - 25	52m	4x1C 16mm ² CU XLPE/PVC + 1x6mm ² EARTH CABLE	LAY NEW CABLE IN CONDUIT
24 - 26	49m		
25 - 27	50m		
26 - 28	53m		



THIS DRAWING MAY BE PREPARED IN COLOUR AND MAY BE INCOMPLETE IF COPIED

50mm ON A3 SIZE ORIGINAL

TEMPLATE VERSION YYYYMMDD:

REV	DATE	AMENDMENT / REVISION DESCRIPTION
01	17-11-20	ISSUED FOR APPROVAL
02	15-01-21	DESIGN UPDATE FOR BRIDGE CROSSING DUCTS
03	22-01-21	UPDATED ISOLUX PLOTS FOR DESIGN UPDATE AND BACKLIGHT SHIELDS
04	19-05-21	UPDATED SET OUT TABLE AND WORKS SCHEDULE
05	16-07-21	ADDED: DBYD INFORMATION, EXISTING TREES ALONG PATH. COLUMN AND TRENCH LOCATIONS UPDATED FROM SITE MEETING
06	05-08-21	ISSUE FOR TENDER
07	19-10-21	UPDATED LIGHTING DESIGN
08	08-11-21	UPDATED SCOPE OF WORKS

ISSUED BY	SCALES ON A3 SIZE DRAWING
M.C.	0 2 4 10 20
M.C.	SCALE BAR 1:500
M.C.	
M.C.	
M.C.	
M.C.	
M.C.	
M.C.	
M.C.	
M.C.	
M.C.	

DRAWINGS / DESIGN PREPARED BY

ArconaTech

ACN 162 670 957 ABN 13 162 670 957
 info@arconatech.com.au www.arconatech.com.au
 PO Box 890 PO Box 78
 Liverpool NSW 2170 Wollongong NSW 2520
 0448.814.154

TITLE	NAME	DATE
DRAWN	F. ESTABAYA	16.10.2020
DESIGN	S. TIEU	16.10.2020
CHECKED	M. CHEN	16.10.2020

PLOT DATE / TIME: 21/05/2021 12:52:22 PM

PLOT BY: FARRAH

CLIENT: CITY OF RYDE COUNCIL

PREPARED FOR: CITY OF RYDE COUNCIL

CITY OF RYDE COUNCIL

PRIVATE LIGHTING BETWEEN FORD ST AND KENT RD SHRIMPTONS CREEK, NORTH RYDE SITE PLAN

DOCUMENT No: 21012B

ISSUE STATUS: ISSUE FOR CONSTRUCTION

SHEET No: 03

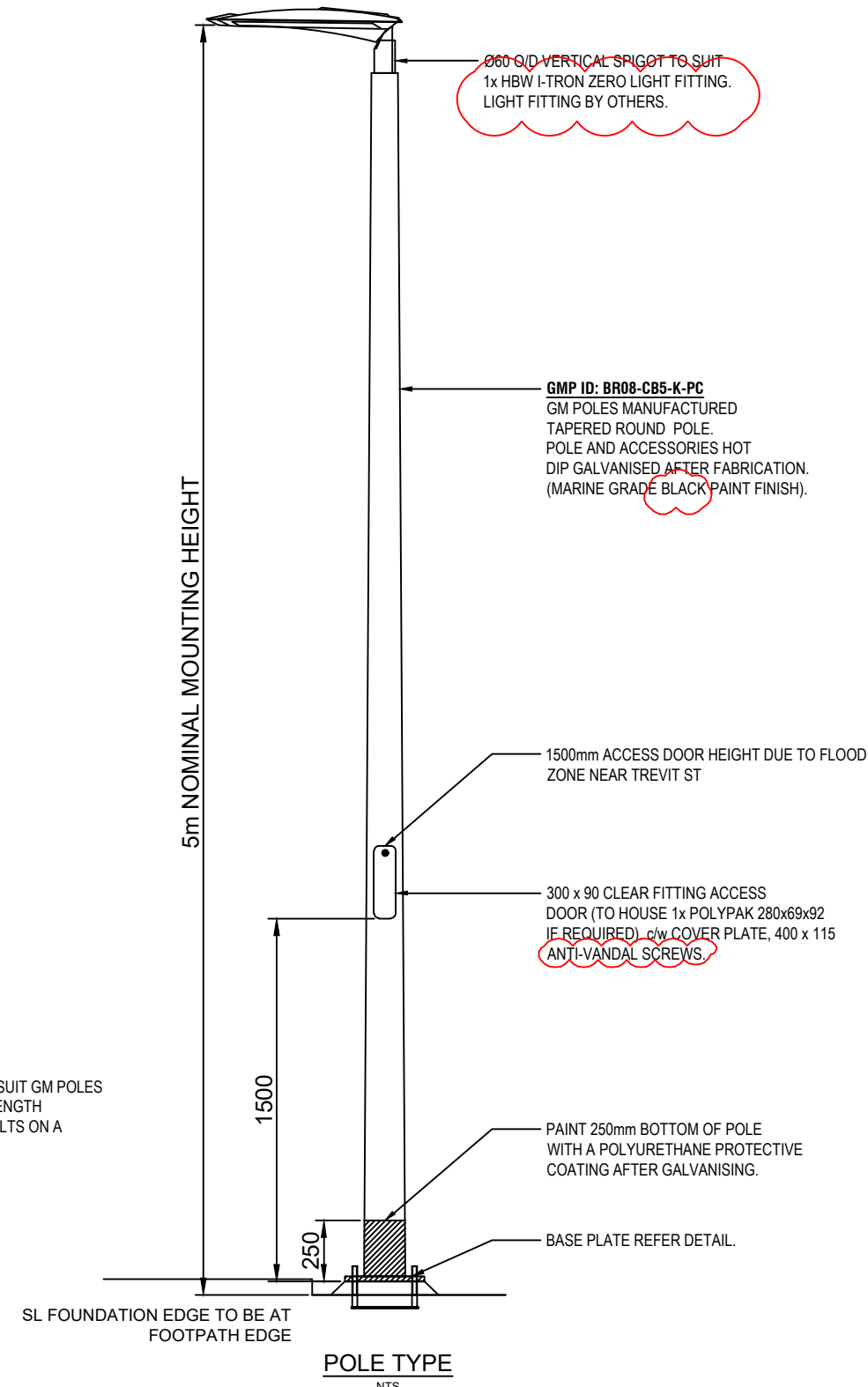
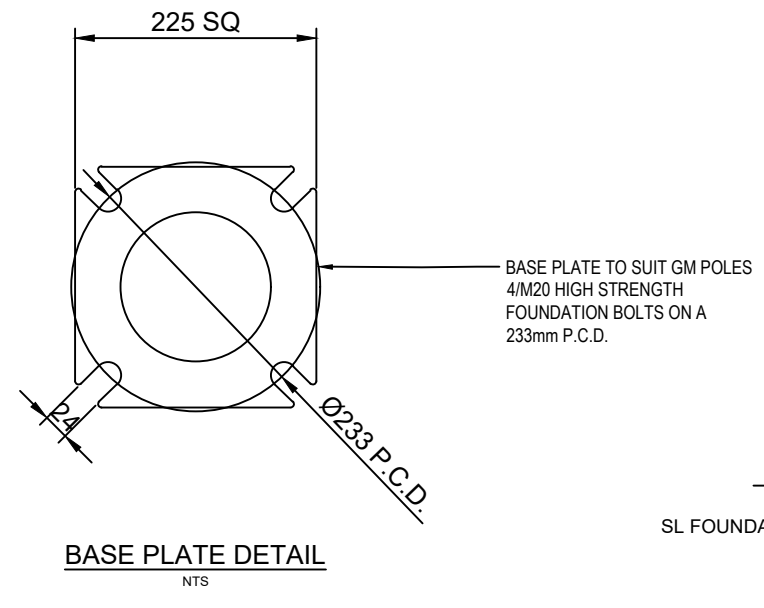
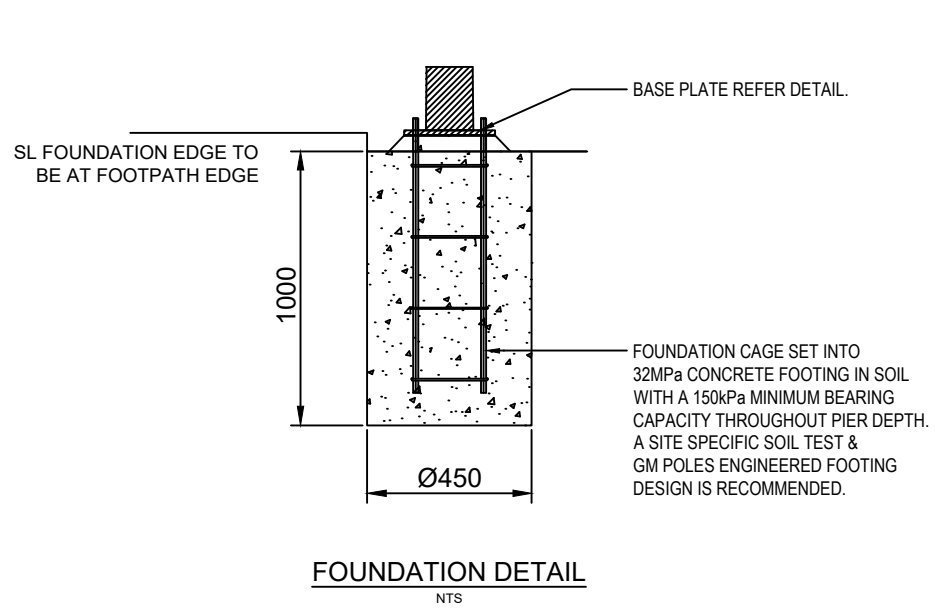
ISSUE: 08

A3

STREETLIGHT WORKS SCHEDULE

REF. ID	CIRCUIT/ PHASE	CONDUCTOR OR ASSET DETAIL	CONSTRUCTION DETAIL	SET OUT TABLE FOR POLE LOCATION (CO-ORDINATES ARE AT CENTER OF POLES)	
				EASTING	NORTHING
20	C1/Aφ	1 x 5m GM Pole	INSTALL GM POLE ACCORDING TO SITE PLAN AND COORDINATE TABLE	325257.815	6259419.446
21	C2/Aφ	1 x 5m GM Pole	INSTALL GM POLE ACCORDING TO SITE PLAN AND COORDINATE TABLE	325256.717	6259442.626
22	C1/Bφ	1 x 5m GM Pole	INSTALL GM POLE ACCORDING TO SITE PLAN AND COORDINATE TABLE	325257.449	6259465.814
23	C2/Bφ	1 x 5m GM Pole	INSTALL GM POLE ACCORDING TO SITE PLAN AND COORDINATE TABLE	325258.515	6259489.031
24	C1/Cφ	1 x 5m GM Pole	INSTALL GM POLE ACCORDING TO SITE PLAN AND COORDINATE TABLE	325270.176	6259510.327
25	C2/Cφ	1 x 5m GM Pole	INSTALL GM POLE ACCORDING TO SITE PLAN AND COORDINATE TABLE	325284.897	6259528.387
26	C1/Aφ	1 x 5m GM Pole	INSTALL GM POLE ACCORDING TO SITE PLAN AND COORDINATE TABLE	325299.757	6259545.865
27	C2/Aφ	1 x 5m GM Pole	INSTALL GM POLE ACCORDING TO SITE PLAN AND COORDINATE TABLE	325311.757	6259567.561
28	C1/Bφ	1 x 5m GM Pole	INSTALL GM POLE ACCORDING TO SITE PLAN AND COORDINATE TABLE	325328.041	6259586.269

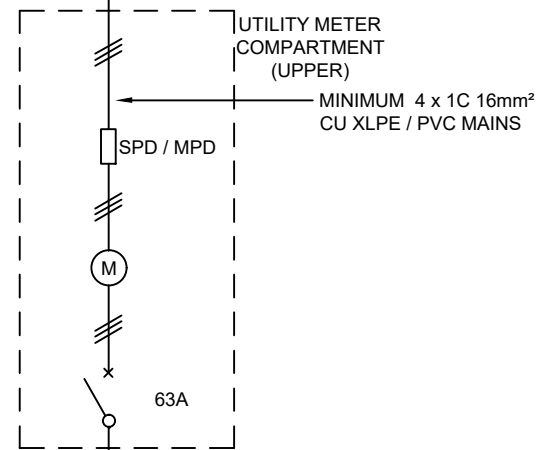
POLE LOCATIONS TO BE SET OUT IN ACCORDANCE WITH THE COORDINATES IN THIS SET OUT TABLE. REFER TO GENERAL NOTE 16 ON SHEET 06. REFER TO LIGHT AND FOUNDATION NOTE 2 ON SHEET 07.



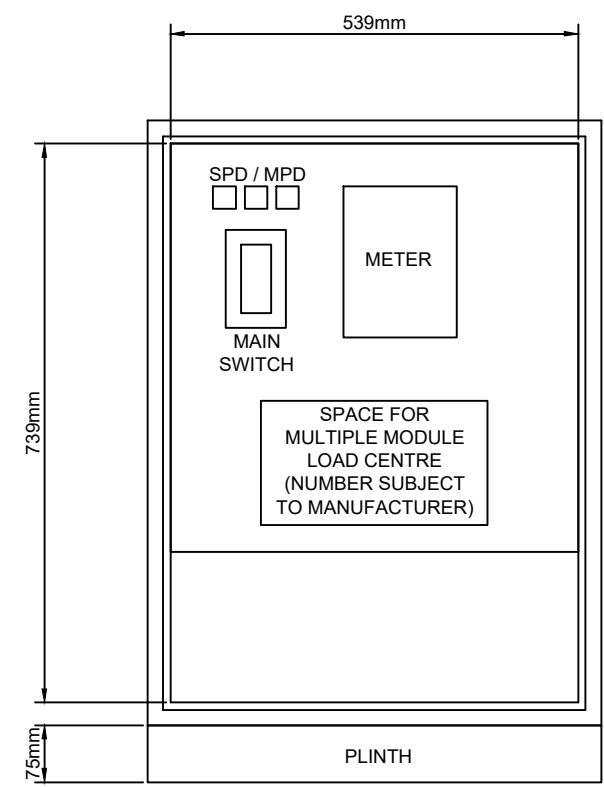
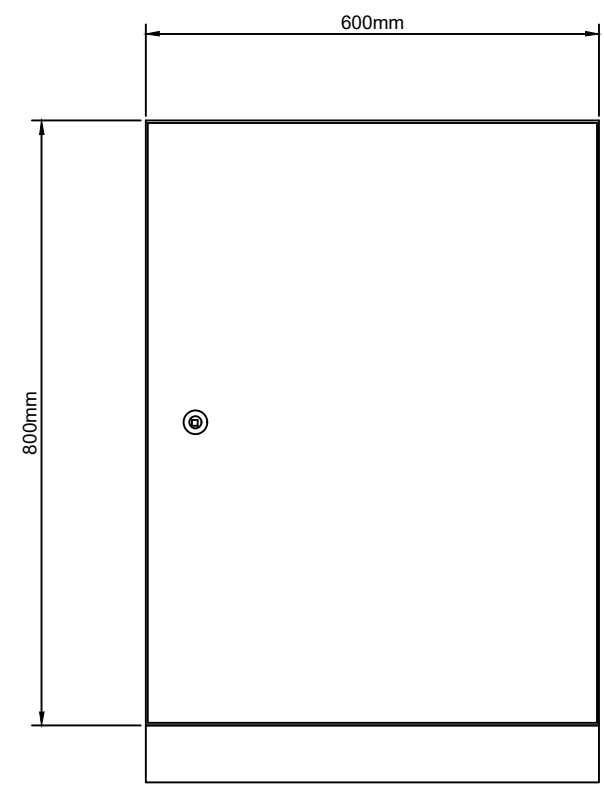
THIS DRAWING MAY BE PREPARED IN COLOUR AND MAY BE INCOMPLETE IF COPIED

TEMPLATE VERSION YYYYMMDD: 01 17-11-20 ISSUED FOR APPROVAL 02 15-01-21 DESIGN UPDATE FOR BRIDGE CROSSING DUCTS 03 22-01-21 UPDATED ISOLUX PLOTS FOR DESIGN UPDATE AND BACKLIGHT SHIELDS 04 19-05-21 UPDATED SET OUT TABLE AND WORKS SCHEDULE 05 16-07-21 ADDED: DBYD INFORMATION, EXISTING TREES ALONG PATH. COLUMN AND TRENCH LOCATIONS UPDATED FROM SITE MEETING 06 05-08-21 ISSUE FOR TENDER 07 19-10-21 UPDATED LIGHTING DESIGN 08 08-11-21 UPDATED SCOPE OF WORKS			ISSUED BY: M.C. SCALES ON A3 SIZE DRAWING: NOT TO SCALE CO-ORDINATE SYSTEM: MGA ZONE 56 HEIGHT DATUM: AHD			DRAWINGS / DESIGN PREPARED BY: ArconaTech ACN 162 670 957 ABN 13 162 670 957 info@arconatech.com.au www.arconatech.com.au PO Box 890 PO Box 78 Liverpool NSW 2170 Wollongong NSW 2520 0448.814.154			PLOT DATE / TIME: 21/05/2021 12:52:33 PM PLOT BY: FARRAH CLIENT: CITY OF RYDE COUNCIL TITLE: PRIVATE LIGHTING BETWEEN FORD ST AND KENT RD SHRIMPTONS CREEK, NORTH RYDE COLUMN & FOUNDATION DETAILS DOCUMENT No: 21012B ISSUE STATUS: ISSUE FOR CONSTRUCTION SHEET No: 04 ISSUE: 08		
--	--	--	---	--	--	---	--	--	---	--	--

AUSGRID
POLE
GL-33600

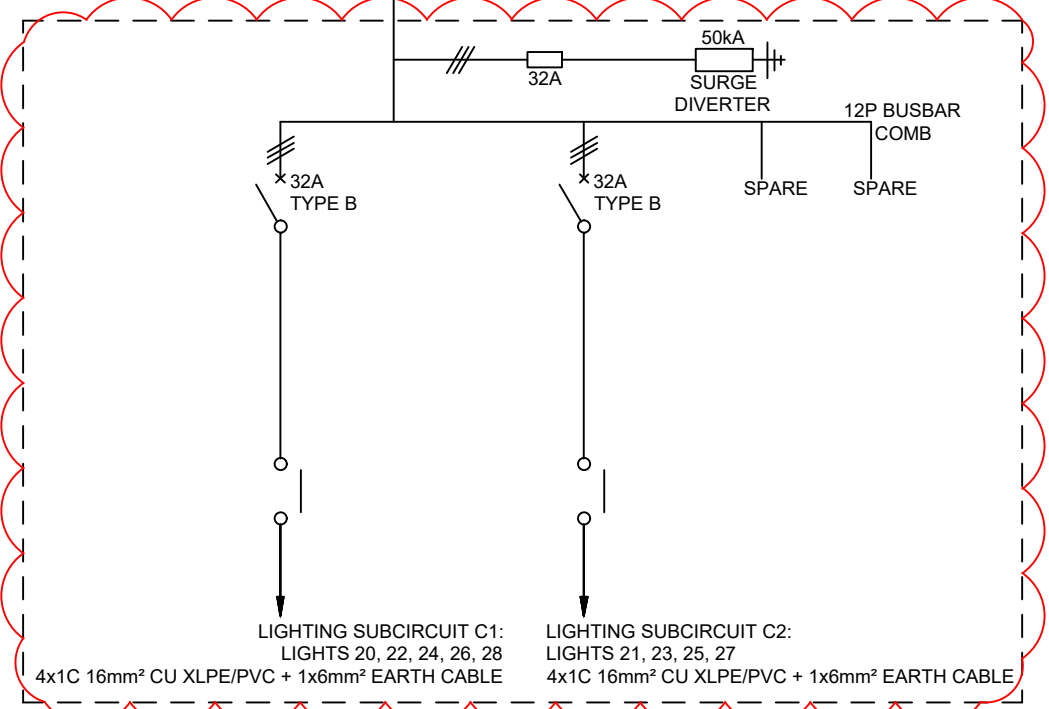


- LEGEND**
- x 32A TYPE B CIRCUIT BREAKER WITH RATING AND TYPE
 - MAIN SWITCH
 - TARRIF METER
 - 80A FUSE WITH LOAD / LINE SIDE & RATING
 - SINGLE PHASE
 - THREE PHASE
 - RCD

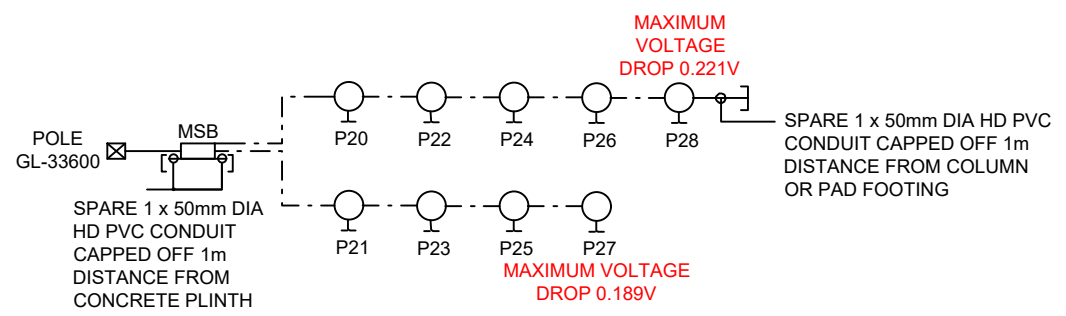


SWITCHBOARD DETAIL
NOT TO SCALE

B & R ENCLOSURE SPECIFICATIONS	
Enclosure	IP29214/S
Gal Plinth	IPPC214
Double Hinged Panel	IPHP2421 (Partial Height)
Tamper Proof Screws	IPTP0616/S
SS Swing Handle	IP060S



SINGLE LINE DIAGRAM
NOT TO SCALE



CIRCUIT DIAGRAM
NOT TO SCALE

THIS DRAWING MAY BE PREPARED IN COLOUR AND MAY BE INCOMPLETE IF COPIED

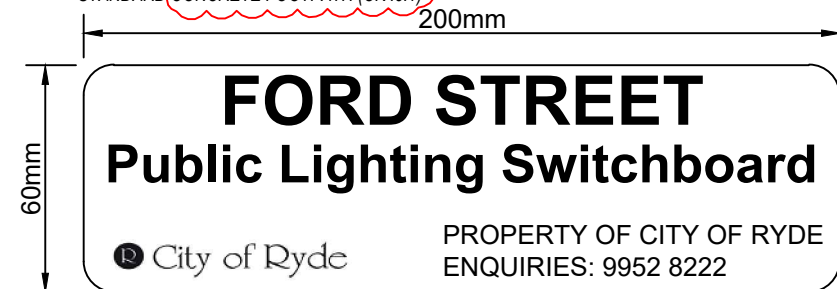
TEMPLATE VERSION YYYYMMDD: 01 17-11-20 ISSUED FOR APPROVAL 02 15-01-21 DESIGN UPDATE FOR BRIDGE CROSSING DUCTS 03 22-01-21 UPDATED ISOLUX PLOTS FOR DESIGN UPDATE AND BACKLIGHT SHIELDS 04 19-05-21 UPDATED SET OUT TABLE AND WORKS SCHEDULE 05 16-07-21 ADDED: DBYD INFORMATION, EXISTING TREES ALONG PATH. COLUMN AND TRENCH LOCATIONS UPDATED FROM SITE MEETING 06 05-08-21 ISSUE FOR TENDER 07 19-10-21 UPDATED LIGHTING DESIGN 08 08-11-21 UPDATED SCOPE OF WORKS		ISSUED BY: M.C. SCALES ON A3 SIZE DRAWING: NOT TO SCALE CO-ORDINATE SYSTEM: MGA ZONE 56 HEIGHT DATUM: AHD	DRAWINGS / DESIGN PREPARED BY: ArconaTech ACN 162 670 957 ABN 13 162 670 957 info@arconatech.com.au www.arconatech.com.au PO Box 890 PO Box 78 Liverpool NSW 2170 Wollongong NSW 2520 0448.814.154	PLOT DATE / TIME: 21/05/2021 12:52:42 PM PLOT BY: FARRAH TITLE: PRIVATE LIGHTING BETWEEN FORD ST AND KENT RD SHRIMPTONS CREEK, NORTH RYDE DRAWN: F. ESTABAYA 16.10.2020 DESIGN: S. TIEU 16.10.2020 CHECKED: M. CHEN 16.10.2020	CLIENT: CITY OF RYDE COUNCIL PREPARED FOR: CITY OF RYDE COUNCIL DOCUMENT No: 21012B ISSUE STATUS: ISSUE FOR CONSTRUCTION SHEET No: 05 ISSUE: 08
--	--	--	---	---	--

GENERAL NOTES

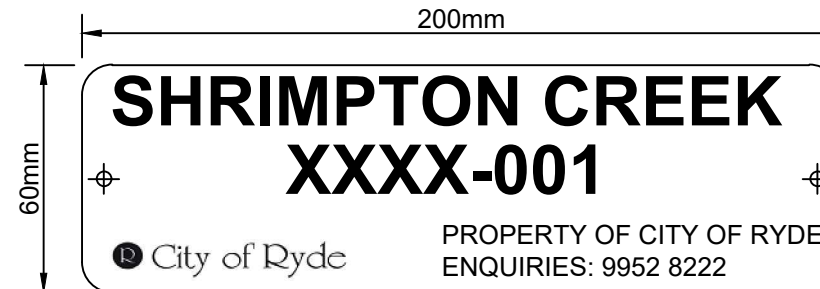
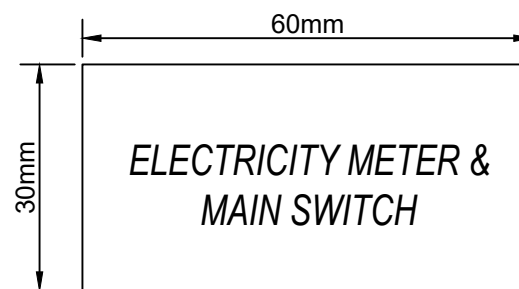
1. THE ELECTRICAL CONTRACTOR IS TO VISIT SITE PRIOR TO PRICING TO SATISFY THEMSELVES OF THE SCOPE OF WORKS.
2. PLANS HAVE BEEN PREPARED BASED ON SITE INVESTIGATION. DETAILED SURVEY HAS NOT BEEN UNDERTAKEN.
3. UPON COMPLETION OF THE WORKS, THE CONTRACTOR IS TO SUPPLY COUNCIL WITH A COPY OF THE WORKS AS EXECUTED (WAE) DRAWINGS. IN PROGRESS WAE DRAWINGS MAY ALSO BE REQUESTED FROM TIME TO TIME BY RYDE COUNCIL FOR CO-ORDINATION PURPOSES.
4. ALL REMOVED & REDUNDANT MATERIALS TO BE APPROPRIATELY DISPOSED OF BY THE CONTRACTOR.
5. WHILE NO RECORDS EXIST TO THE CONTRARY, THE CONTRACTOR SHALL ENSURE APPROPRIATE WORKPLACE SAFETY MEASURES ARE UTILISED IN REGARDS TO WORKING WITH ASBESTOS AND/OR ASBESTOS CONTAINING MATERIALS.
6. ALL WORK IS TO BE COMPLETED IN A PROFESSIONAL AND TRADESMAN LIKE QUALITY.
7. ELECTRICAL AUTHORITY IS AUSGRID.
8. ALL WORK SHALL BE CARRIED OUT IN ACCORDANCE WITH THE CURRENT REVISIONS OF THE BCANCC, AS/NZS 3000, AS/ACIF S009, NSW SERVICE AND INSTALLATION RULES, AUSTRALIAN STANDARDS.
9. THE CONTRACTOR SHALL UNDERTAKE A "DIAL BEFORE YOU DIG" SEARCH FOR EXISTING IN-GROUND SERVICES NO MORE THAN 20 BUSINESS DAYS PRIOR TO EXCAVATION ON SITE. ANY DAMAGE TO EXISTING IN-GROUND SERVICES SHALL BE THE CONTRACTOR'S RESPONSIBILITY.
10. THE EXISTING SERVICES SHOWN IN THE DRAWING PACKAGE HAVE BEEN DOCUMENTED FROM THE SUPPLIED DATA BY THE COUNCIL. ARCONATECH DOES NOT GUARANTEE OR TAKE RESPONSIBILITY OF THE ACCURACY OF THIS INFORMATION.
11. DESIGNER IS TO BE CONTACTED REGARDING ISSUES RAISED WITH THIS DESIGN.
12. THE DESIGN CANNOT BE USED FOR CONSTRUCTION PURPOSES UNTIL THE LOCATION OF ALL EXISTING SERVICES IS VERIFIED.
13. THE INFORMATION PROVIDED IN THIS DESIGN MUST BE CHECKED ON SITE AND THE MOST CURRENT INFORMATION ON THE CONFIGURATION OF ALL SERVICES, INCLUDING AUSGRID'S NETWORK, MUST BE VERIFIED IMMEDIATELY BEFORE CONSTRUCTION COMMENCED BY CONTACTING DIAL-BEFORE-YOU-DIG BY TELEPHONE ON 1100 OR www.1100.com.au
14. FOR DETAILS PLEASE REFER TO CITY OF RYDE DESIGN GUIDE, COUNCIL-OWNED STREET LIGHTING.
15. THE CONTRACTOR TO DISCUSS WITH COUNCIL'S MAINTENANCE CONTRACTOR BEFORE INSTALLATION.
16. ALL CO-ORDINATES PROVIDED ON THIS DESIGN ARE BASED ON AUSGRID'S GIS WHICH IS BASED ON DATA FROM THE LPI. EXACT CO-ORDINATES TO BE CONFIRMED WITH THE CIVIL DRAWINGS AND SITE SURVEY. CADASTRAL SURVEYS MAY BE REQUIRED TO CONFIRM EXACT ASSET LOCATIONS.
17. INCLUDED SERVICE PLANS ARE QL-D. INFORMATION IS THE MOST BASIC LEVEL OF UTILITY LOCATIONS USING ONLY INFORMATION BASED ON EXISTING DIAL-BEFORE-YOU DIG PLANS.

TRENCHING & CABLING

1. ELECTRICAL CONTRACTOR SHALL SAW CUT & EXCAVATE THE EXISTING SURFACE TO INSTALL NEW POLE LUMINAIRES. REINSTATE TRENCH WITH APPROPRIATE BACK FILL & COMPACTION, INCLUDING FINISHING OF TRENCH WITH COLD MIX ASPHALT OR TO MATCH WITH EXISTING FINISH. ALLOW FOR SLIGHT OVER FILL TO AVOID SAGGING. ALLOW FOR THESE WORKS TO BE UNDERTAKEN TO AVOID DISRUPTION DURING NORMAL WORKING DAYS/HOURS.
2. STREET LIGHT MAINS TO HAVE 500mm COVER IN FOOTWAY, 750mm IN ROADWAY.
3. CONTRACTOR TO LIAISE WITH COUNCIL AND AUTHORITIES ON THE UNDERGROUNDING PLACEMENT OF ELECTRICAL CONDUIT.
4. ALL CONDUITS MUST COMPLY WITH RELEVANT SECTIONS OF AS/NZS 2053 AND COUNCIL REQUIREMENT.
5. ALL THE CABLE LAYING TO BE RECORDED IN COMPLIANCE WITH AS/NZS 3000.
6. RADIUS OF BEND OF CABLE TO COMPLY WITH CABLE MANUFACTURE AND COUNCIL REQUIREMENTS.
7. IF ANY EXCAVATION OR U/G WORKS ARE TO BE DONE ALL SURFACES MUST RESTORED TO ORIGINAL STATE UPON COMPLETION OF THE PROJECT.
8. LOCATION OF CONDUITS ON FOOTPATH IS AS PER COUNCIL REQUIREMENT.
9. CONTRACTOR TO LOCATE COMMS CONDUITS AS PER AUSTRALIAN STANDARD AND CITY OF RYDE COUNCIL'S REQUIREMENT.
10. ANY TRENCHING WITHIN 3m OF TREES WILL NEED SITE LIAISON WITH COUNCIL'S TREE MANAGEMENT OFFICERS BEFORE ANY WORKS COMMENCES.
11. TRENCHING ROUTE AND COLUMN LOCATIONS HAS BEEN DETERMINED WITH MULTIPLE SITE WALKS WITH COUNCIL, ARBORIST, AND IN CONJUNCTION OF COMMUNITY CONSULTATIONS.
12. CONTRACTOR TO CONTACT RYDE COUNCIL REGARDING ATTACHMENT METHODOLOGY TO EXISTING STRUCTURAL WALKWAYS.
13. WHERE EXISTING FOOTPATH TRENCHING IS REQUIRED, FOOTPATH TO BE RE-MADE TO RYDE COUNCIL STANDARD CONCRETE FOOTPATH (CIV.5.1)



STREET NAME (13mm)
 ASSET LABEL (13mm)
 COUNCIL LOGO (10mm)
 AND CONTACT & NUMBER (5mm)



STREET NAME (13mm)
 ASSET LABEL (13mm)
 COUNCIL LOGO (10mm)
 AND CONTACT NUMBER (5mm)

ASSET HANDOVER

THE FOLLOWING SHALL BE PROVIDED TO COUNCIL PRIOR TO THE HANDOVER OF THE STREET LIGHTING INSTALLATION AND TRANSFER OF ENERGY ACCOUNT FROM THE DEVELOPER TO COUNCIL:

1. CERTIFICATION FROM A CHARTERED STRUCTURAL ENGINEER (REGISTERED ON THE NER OF ENGINEERS, AUSTRALIA) CONFIRMING THAT THE WORKS HAVE BEEN CONSTRUCTED IN ACCORDANCE WITH COUNCIL-APPROVED DRAWINGS AND CITY OF RYDE'S STANDARDS AND SPECIFICATIONS. THE CERTIFICATE SHALL CONTAIN PHOTOGRAPHS OF THE WORKS IN PROGRESS AND A COMMENTARY OF THE INSPECTED WORKS, INCLUDING ANY DEFICIENCIES AND RECTIFICATIONS THAT WERE UNDERTAKEN;
2. WORKS AS EXECUTED DRAWINGS;
3. A SET OF ACCESS KEYS;
4. MANUFACTURER'S WARRANTIES AND CERTIFICATES;
5. ASSET TAGS ON POLES AND METER BOX AS PER COUNCIL REQUIREMENTS;
6. METER INFORMATION (NMI FROM AUSGRID) AND RELEVANT DETAILS FOR THE TRANSFER OF THE ENERGY ACCOUNT TO COUNCIL NEEDS TO BE COMPLETED ON CCEW.

NOTE: A FINAL INSPECTION FOR THE PURPOSE OF THE HANDOVER TO COUNCIL SHALL BE CONDUCTED IN CONJUNCTION WITH COUNCIL'S ENGINEER, FOLLOWING THE COMPLETION OF THE WORKS. ADDITIONAL INSPECTIONS, IF REQUIRED, ARE SUBJECT TO ADDITIONAL FEES PAYABLE IN ACCORDANCE WITH COUNCIL'S CURRENT SCHEDULE OF FEES AND CHARGES.

PUBLIC LIGHTING SWITCHBOARD TAG SPECIFICATION

1. THE SIZE OF THE PLATE SHALL BE 200mm (LENGTH) X 60mm (HEIGHT).
2. THE TEXT SIZE FOR THE STREET NAME AND FOR "PUBLIC LIGHTING SWITCHBOARD" IS TO BE 13mm TALL AND THE TEXT SIZE FOR "PROPERTY OF CITY OF RYDE, ENQUIRIES: 9952 822" IS TO BE 5mm. THE "CITY OF RYDE LOGO" IS TO BE 10mm TALL.
3. THE PLATE IS TO HAVE A SILVER (STAINLESS STEEL) BACKGROUND WITH BLACK TEXT AND LOGO PRINT.
4. THE LOGO AND TEXT ARE NOT TO BE STICKER LETTERING.
5. THE MATERIAL OF THE PLATE AND THE ADHESIVE BACKING SHALL COMPLY WITH THE REQUIREMENTS OF THE DISTRIBUTION BOARD (GENERALLY STAINLESS STEEL).
6. THE STREET NAME SHALL BE PRINTED WITHOUT ANY ABBREVIATIONS. IF THE STREET NAME IS TOO LONG IT CAN BE PRINTED IN TWO LINES.
7. "PUBLIC LIGHTING SWITCHBOARD" IS TO BE PRINTED IN THE CENTRE OF THE TAG.
8. THE TAG BELOW WITH DIMENSIONS 60mm (LENGTH) X 30mm (HEIGHT) WITH "ELECTRICITY METER & MAIN SWITCH" IS TO BE PLACED ON THE DOOR WITH THE METER WITHIN (THERE MAY BE TWO SEPARATE DOORS - ONE FOR THE METER AND THE OTHER FOR THE DISTRIBUTION BOARD).

LIGHTING POLE TAG SPECIFICATION

GENERAL:

1. THE SIZE OF THE PLATE SHALL BE 200mm (LENGTH MEASURED ALONG THE CURVATURE OF THE POLE) x 60mm (HEIGHT).
2. THE PLATE IS TO HAVE A SILVER (ALUMINIUM) BACKGROUND WITH BLACK TEXT AND LOGO PRINT.
3. THE LOGO AND TEXT ARE NOT TO BE STICKER LETTERING.
4. THE PLATE SHALL BE CURVED TO SUITE THE CURVATURE OF THE POLE.
5. THE MATERIAL OF THE PLATE AND RIVETS SHALL COMPLY WITH THE REQUIREMENTS OF THE POLE MANUFACTURER (GENERALLY ANODISED ALUMINIUM).
6. THE STREET NAME SHALL BE PRINTED WITHOUT ANY ABBREVIATIONS. IF THE STREET NAME IS TOO LONG, IT CAN BE PRINTED IN TWO LINES.
7. THE TEXT SIZE FOR THE STREET NAME AND FOR "POLE/ASSET NUMBER" IS TO BE 13mm TALL. THE TEXT SIZE FOR "PROPERTY OF CITY OF RYDE AND ENQUIRIES: 9952 8222" IS TO BE 5mm.
8. THE "CITY OF RYDE LOGO" IS TO BE 10mm TALL.
9. THE ASSET INDEX IS COMPILED VIA THE FOLLOWING RULES:
 STREET LIGHTS
 ASSET INDEX (STREET INDEX - 000) IS MADE UP BY COMBINING THE FOLLOWING TWO:
 1. STREET INDEX - IS A FOUR-DIGIT NUMBER GIVEN TO EACH STREET BY COUNCIL'S ASSET SYSTEMS DEPARTMENT.
 2. 000 - A THREE-DIGIT SEQUENTIAL NUMBER PROVIDED BY COUNCIL'S ASSET SYSTEMS DEPARTMENT.

THIS DRAWING MAY BE PREPARED IN COLOUR AND MAY BE INCOMPLETE IF COPIED

50mm ON A3 SIZE ORIGINAL

TEMPLATE VERSION YYYYMMDD:

REV	DATE	AMENDMENT / REVISION DESCRIPTION	ISSUED BY	SCALES ON A3 SIZE DRAWING	DRAWINGS / DESIGN PREPARED BY
01	17-11-20	ISSUED FOR APPROVAL	M.C.	NOT TO SCALE	ArconaTech ACN 162 670 957 ABN 13 162 670 957 E info@arconatech.com.au W www.arconatech.com.au M PO Box 890 PO Box 78 Liverpool NSW 2170 Wollongong NSW 2520 P 0448.814.154
02	15-01-21	DESIGN UPDATE FOR BRIDGE CROSSING DUCTS	M.C.		
03	22-01-21	UPDATED ISOLUX PLOTS FOR DESIGN UPDATE AND BACKLIGHT SHIELDS	M.C.		
04	19-05-21	UPDATED SET OUT TABLE AND WORKS SCHEDULE	M.C.		
05	16-07-21	ADDED: DBYD INFORMATION, EXISTING TREES ALONG PATH. COLUMN AND TRENCH LOCATIONS UPDATED FROM SITE MEETING	M.C.		
06	05-08-21	ISSUE FOR TENDER	M.C.		
07	19-10-21	UPDATED LIGHTING DESIGN	M.C.		
08	08-11-21	UPDATED SCOPE OF WORKS	M.C.		

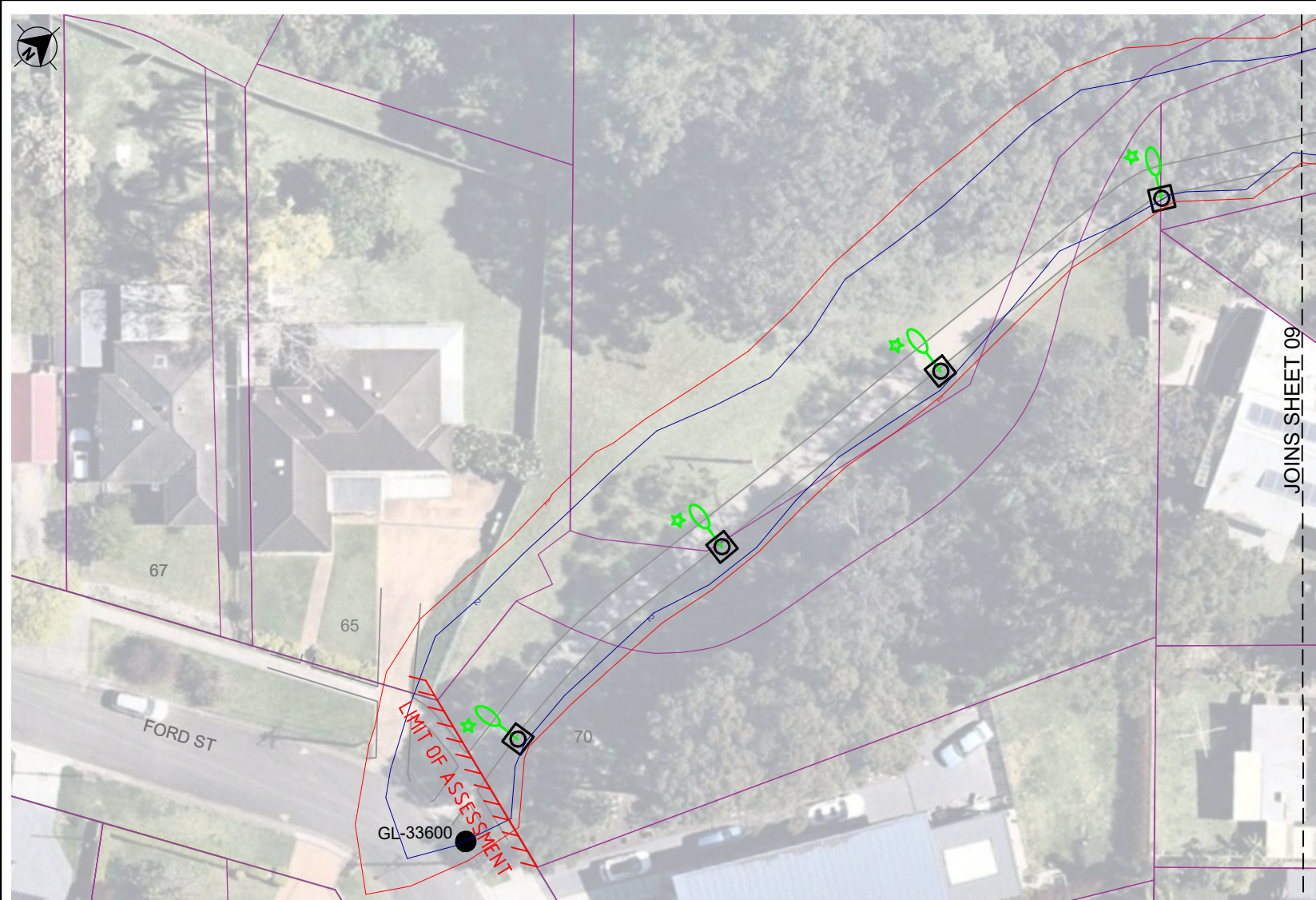
CO-ORDINATE SYSTEM MGA ZONE 56
 HEIGHT DATUM AHD

TITLE	NAME	DATE
DRAWN	F. ESTABAYA	16.10.2020
DESIGN	S. TIEU	16.10.2020
CHECKED	M. CHEN	16.10.2020

CLIENT	
PREPARED FOR CITY OF RYDE COUNCIL	

PRIVATE LIGHTING BETWEEN FORD ST AND KENT RD SHRIMPTONS CREEK, NORTH RYDE NOTES		
DOCUMENT No: 21012B		
ISSUE STATUS ISSUE FOR CONSTRUCTION	SHEET No. 06	ISSUE 08

A3



SITE PLAN
SCALE 1:500

LEGEND	
2.0 LUX MAINTAINED	
1.0 LUX MAINTAINED	

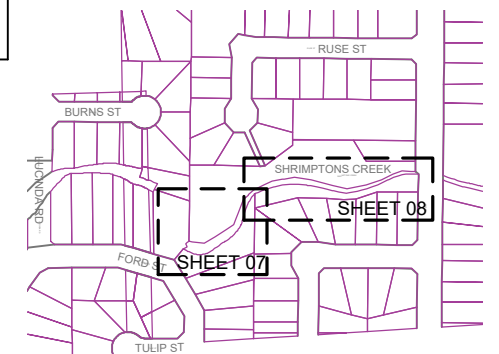
Shrimpton Creek lighting is designed to Australian Standard AS1158:2020 Lighting for Roads and Public Spaces, with pedestrian illuminance category PP2.

NOTE:
INSTALL A PIR5 ST Zhaga Sensor AND esave SLC-Move MODULE ON EACH POLE LUMINAIRE.

LIGHTING CALCULATION RESULTS HAS BEEN PROVIDED BY HBW LIGHTING

STREET LIGHTING DESIGN DETAILS

REF. IDENTIFIER	ASSET NUMBER	SL POLE TYPE	COLUMN SIZE (m)	MOUNTING METHOD	OUTREACH (m)	HEIGHT OF LUMINAIRE (m)	LUMINAIRE TYPE	LUMINAIRE SIZE (W)	LUMENS (lm)	ADDITIONAL DESIGN DETAIL
		5m GM POLE	5	RAGBOLT	0	5	I-TRON ZERO 0C6 STA1 3.54-2M VEX 3000K W/ BACK SHIELD, NEMA ON TOP, ZHAGA ON BOTTOM	21.5	1860	



KEY PLAN
NTS

FOR CONSTRUCTION

TEMPLATE VERSION YYYYMMDD:

REV	DATE	AMENDMENT / REVISION DESCRIPTION
01	17-11-20	ISSUED FOR APPROVAL
02	15-01-21	DESIGN UPDATE FOR BRIDGE CROSSING DUCTS
03	22-01-21	UPDATED ISOLUX PLOTS FOR DESIGN UPDATE AND BACKLIGHT SHIELDS
04	19-05-21	UPDATED SET OUT TABLE AND WORKS SCHEDULE
05	16-07-21	ADDED: DBYD INFORMATION, EXISTING TREES ALONG PATH. COLUMN AND TRENCH LOCATIONS UPDATED FROM SITE MEETING
06	05-08-21	ISSUE FOR TENDER
07	19-10-21	UPDATED LIGHTING DESIGN
08	08-11-21	UPDATED SCOPE OF WORKS

ISSUED BY: M.C.

SCALE BAR 1:500

CO-ORDINATE SYSTEM: MGA ZONE 56

HEIGHT DATUM: AHD

DRAWINGS / DESIGN PREPARED BY:

ArconaTech

ACN 162 670 957 ABN 13 162 670 957
 info@arconatech.com.au www.arconatech.com.au
 PO Box 890 PO Box 78
 Liverpool NSW 2170 Wollongong NSW 2520
 0448.814.154

TITLE	NAME	DATE
DRAWN	F. ESTABAYA	16.10.2020
DESIGN	S. TIEU	16.10.2020
CHECKED	M. CHEN	16.10.2020

PLOT DATE / TIME: 21/05/2021 12:53:13 PM

PLOT BY: FARRAH

CLIENT: CITY OF RYDE COUNCIL

CITY OF RYDE COUNCIL

PRIVATE LIGHTING BETWEEN FORD ST AND KENT RD SHRIMPTONS CREEK, NORTH RYDE LIGHTING CERTIFICATION - LUX DIAGRAM

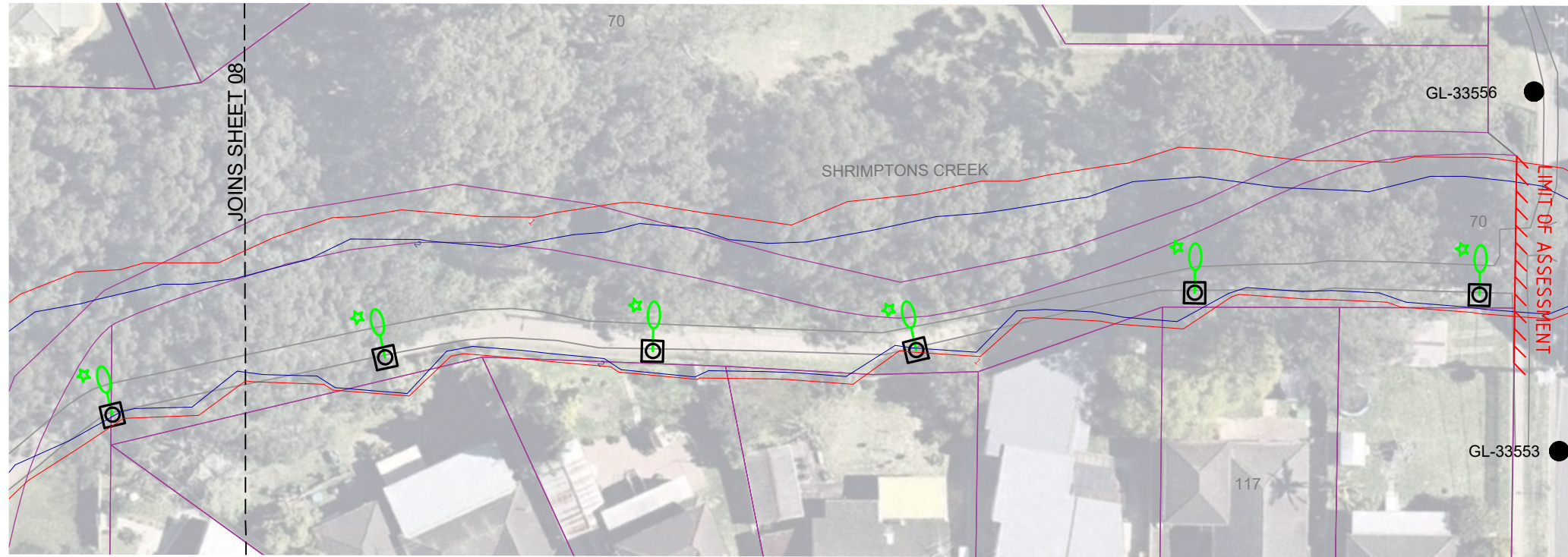
DOCUMENT No: 21012B

ISSUE STATUS: ISSUE FOR CONSTRUCTION

SHEET No: 08

ISSUE: 08

THIS DRAWING MAY BE PREPARED IN COLOUR AND MAY BE INCOMPLETE IF COPIED



SITE PLAN
SCALE 1:500

THIS DRAWING MAY BE PREPARED IN COLOUR AND MAY BE INCOMPLETE IF COPIED

50mm ON A3 SIZE ORIGINAL

TEMPLATE VERSION YYYYMMDD:

REV	DATE	AMENDMENT / REVISION DESCRIPTION
01	17-11-20	ISSUED FOR APPROVAL
02	15-01-21	DESIGN UPDATE FOR BRIDGE CROSSING DUCTS
03	22-01-21	UPDATED ISOLUX PLOTS FOR DESIGN UPDATE AND BACKLIGHT SHIELDS
04	19-05-21	UPDATED SET OUT TABLE AND WORKS SCHEDULE
05	16-07-21	ADDED: DBYD INFORMATION, EXISTING TREES ALONG PATH. COLUMN AND TRENCH LOCATIONS UPDATED FROM SITE MEETING
06	05-08-21	ISSUE FOR TENDER
07	19-10-21	UPDATED LIGHTING DESIGN
08	08-11-21	UPDATED SCOPE OF WORKS

ISSUED BY	SCALE ON A3 SIZE DRAWING
M.C.	0 2 4 10 20
M.C.	SCALE BAR 1:500
M.C.	
M.C.	
M.C.	
M.C.	
M.C.	
M.C.	
M.C.	
M.C.	
M.C.	

DRAWINGS / DESIGN PREPARED BY

ArconaTech

ACN 162 670 957 ABN 13 162 670 957
 info@arconatech.com.au www.arconatech.com.au
 PO Box 890 PO Box 78
 Liverpool NSW 2170 Wollongong NSW 2520
 0448.814.154

TITLE	NAME	DATE
DRAWN	F. ESTABAYA	16.10.2020
DESIGN	S. TIEU	16.10.2020
CHECKED	M. CHEN	16.10.2020

CLIENT

City of Ryde

PREPARED FOR

CITY OF RYDE COUNCIL

CITY OF RYDE COUNCIL	A3
PRIVATE LIGHTING BETWEEN FORD ST AND KENT RD SHRIMPTONS CREEK, NORTH RYDE LIGHTING CERTIFICATION - LUX DIAGRAM	
DOCUMENT No. 21012B	
ISSUE STATUS ISSUE FOR CONSTRUCTION	SHEET No. 09 ISSUE 08

P Category Lighting - AS/NZS 1158.3.1:2005

HBW Lighting

I-table Filename: C:\Users\steve\Desktop\I-TRON Zero 0C6 STA1 3.54-2
 M VEX AEP.cie

Job Name: Shrimptons Creek

Luminaire Description: I-TRON Zero 0C6 STA1 1860 lms

Initial Lamp Flux: 1860 lms

Maintenance Factor: 0.8

Stores Code:

Upcast Angle: 0 degrees

Arrangement: Staggered

Offset Distance: 0 m

Upward Waste Light Ratio: .0 %

Light Source: LED - Light Emitting Diode

Luminaire Classification: Not specified

Lighting Category: User Defined

Illuminance Criteria: Average Illuminance (Eav) >= 7.00 lx
 (Maintained values) Minimum Illuminance (Eph) >= 1.00 lx
 Illuminance Uniformity (Up) <= 5
 Vertical Illuminance (Epv) >= 0.30 lx
 (Epv calculated on plane 1.5m above ground
 and contribution from luminaire in adjacent
 span used in calculations)

Calculation Grid: Dependant on Path width (refer Figure 3.8
 of AS/NZS 1158.2)

Mounting Height	Maximum Spacing for different Path Widths
-----	-----
2.5	
+-----+	
5.0 26.0	
+-----+	

Value/s in above table are all in metres.
 The table contains maximum spacings which, for the specified luminaire and lamp combination, provide compliance with the User Defined light technical parameters (LTPs) nominated above.
 Refer next page for list of LTP's at compliant maximum spacings.
 Refer following page/s for illuminance values at grid points.

Light Technical Parameters at Maximum Spacing

Mounting Height (m)	Path Width (m)	Maximum Spacing (m)	Eav (lx)	Eph (lx)	Up (E _{max} /E _{av})	E _{max} (lx)	E _v (lx)
5.0	2.5	26.0	7.59	4.32	3	20.74	0.3

Horizontal Illuminance Values over Calculation Grid

Mounting Height = 5.0m Path Width = 2.5m Spacing = 26.0m

<---- Grid across path ---->

(Luminaire 1)

.	.
13.44	13.86
6.95	7.56
5.24	5.07
5.14	4.96
4.42	4.48
4.32	4.38
4.38	4.32
4.48	4.42
4.96	5.14
5.07	5.24
7.56	6.95
13.86	13.44
20.74	16.85

(Luminaire 2)

Vertical Illuminance Values over Calculation Grid

(Luminaire 1)

.	.
11.16	12.38
11.49	10.74
14.93	12.93
12.08	12.36
9.94	10.91
7.41	7.83
5.05	5.09
3.29	3.17
2.04	1.89
1.27	1.12
.84	.73
.55	.47
.35	.30

(Luminaire 2)

NOTE: Values in above table are in Lux (rounded to 2 decimal places).
 Line of grid points across path, at Luminaire 1, not included in determining compliance (refer Figure 3.8 AS/NZS 1158.2).

THIS DRAWING MAY BE PREPARED IN COLOUR AND MAY BE INCOMPLETE IF COPIED

50mm ON A3 SIZE ORIGINAL

TEMPLATE VERSION YYYYMMDD:

REV	DATE	AMENDMENT / REVISION DESCRIPTION	ISSUED BY
01	17-11-20	ISSUED FOR APPROVAL	M.C.
02	15-01-21	DESIGN UPDATE FOR BRIDGE CROSSING DUCTS	M.C.
03	22-01-21	UPDATED ISOLUX PLOTS FOR DESIGN UPDATE AND BACKLIGHT SHIELDS	M.C.
04	19-05-21	UPDATED SET OUT TABLE AND WORKS SCHEDULE	M.C.
05	16-07-21	ADDED: DBYD INFORMATION, EXISTING TREES ALONG PATH. COLUMN AND TRENCH LOCATIONS UPDATED FROM SITE MEETING	M.C.
06	05-08-21	ISSUE FOR TENDER	M.C.
07	19-10-21	UPDATED LIGHTING DESIGN	M.C.
08	08-11-21	UPDATED SCOPE OF WORKS	M.C.

SCALES ON A3 SIZE DRAWING	DRAWINGS / DESIGN PREPARED BY
NOT TO SCALE	ArconaTech

TITLE	NAME	DATE
DRAWN	F. ESTABAYA	16.10.2020
DESIGN	S. TIEU	16.10.2020
CHECKED	M. CHEN	16.10.2020

CO-ORDINATE SYSTEM	HEIGHT DATUM
MGA ZONE 56	AHD

PLOT DATE / TIME	PLOT BY	CLIENT
21/05/2021 12:53:35 PM	FARRAH	CITY OF RYDE COUNCIL

CITY OF RYDE COUNCIL		PRIVATE LIGHTING BETWEEN FORD ST AND KENT RD SHRIMPTONS CREEK, NORTH RYDE LIGHTING CERTIFICATION - SOFTWARE OUT PUT
CITY OF RYDE COUNCIL		DOCUMENT No 21012B
ISSUE STATUS	SHEET No.	ISSUE
ISSUE FOR CONSTRUCTION	10	08

P Category Lighting - AS/NZS 1158.3.1:2005

HBW Lighting

I-table Filename: C:\Users\steve\Desktop\I-TRON Zero 0C6 STA1 3.54-2
 M VEX AEP.cie

Job Name: Shrimptons Creek

Luminaire Description: I-TRON Zero 0C6 STA1 1860 lms

Initial Lamp Flux: 1860 lms

Maintenance Factor: 0.8

Stores Code:

Upcast Angle: 0 degrees

Arrangement: Single Side

Offset Distance: 0 m

Upward Waste Light Ratio: .0 %

Light Source: LED - Light Emitting Diode

Luminaire Classification: Not specified

Lighting Category: User Defined

Illuminance Criteria: Average Illuminance (Eav) >= 7.00 lx
 (Maintained values) Minimum Illuminance (Eph) >= 1.00 lx
 Illuminance Uniformity (Up) <= 5
 Vertical Illuminance (Epv) >= 0.30 lx
 (Epv calculated on plane 1.5m above ground
 and contribution from luminaire in adjacent
 span used in calculations)

Calculation Grid: Dependant on Path width (refer Figure 3.8
 of AS/NZS 1158.2)

Mounting Height	Maximum Spacing for different Path Widths
-----	-----
2.5	
+-----+	
5.0 25.9	
+-----+	

Value/s in above table are all in metres.
 The table contains maximum spacings which, for the specified luminaire and lamp combination, provide compliance with the User Defined light technical parameters (LTPs) nominated above.
 Refer next page for list of LTP's at compliant maximum spacings.
 Refer following page/s for illuminance values at grid points.

-----PlePcat

Light Technical Parameters at Maximum Spacing

Mounting Path Height (m)	Maximum Spacing (m)	Eav (lx)	Eph (lx)	Up (E _{max} /E _{av})	E _{max} (lx)	E _v (lx)
5.0	2.5	25.9	7.59	4.21	3	20.73

Horizontal Illuminance Values over Calculation Grid

 Mounting Height = 5.0m Path Width = 2.5m Spacing = 25.9m
 -----Grid

<---- Grid across path ---->

(Luminaire 1)

.	.
13.47	13.85
6.99	7.54
5.26	5.05
5.15	4.96
4.38	4.53
4.21	4.50
4.21	4.50
4.38	4.53
5.15	4.96
5.26	5.05
6.99	7.54
13.47	13.85
16.86	20.73

(Luminaire 2)

Vertical Illuminance Values over Calculation Grid

(Luminaire 1)

.	.
11.20	12.34
11.51	10.71
14.96	12.91
12.10	12.34
9.96	10.91
7.43	7.84
5.06	5.10
3.31	3.17
2.05	1.89
1.28	1.12
.85	.73
.55	.47
.35	.30

(Luminaire 2)

NOTE: Values in above table are in Lux (rounded to 2 decimal places).
 Line of grid points across path, at Luminaire 1, not included in determining compliance (refer Figure 3.8 AS/NZS 1158.2).

THIS DRAWING MAY BE PREPARED IN COLOUR AND MAY BE INCOMPLETE IF COPIED

50mm ON A3 SIZE ORIGINAL

TEMPLATE VERSION YYYYMMDD:

REV	DATE	AMENDMENT / REVISION DESCRIPTION	ISSUED BY
01	17-11-20	ISSUED FOR APPROVAL	M.C.
02	15-01-21	DESIGN UPDATE FOR BRIDGE CROSSING DUCTS	M.C.
03	22-01-21	UPDATED ISOLUX PLOTS FOR DESIGN UPDATE AND BACKLIGHT SHIELDS	M.C.
04	19-05-21	UPDATED SET OUT TABLE AND WORKS SCHEDULE	M.C.
05	16-07-21	ADDED: DBYD INFORMATION, EXISTING TREES ALONG PATH. COLUMN AND TRENCH LOCATIONS UPDATED FROM SITE MEETING	M.C.
06	05-08-21	ISSUE FOR TENDER	M.C.
07	19-10-21	UPDATED LIGHTING DESIGN	M.C.
08	08-11-21	UPDATED SCOPE OF WORKS	M.C.

SCALES ON A3 SIZE DRAWING	DRAWINGS / DESIGN PREPARED BY
NOT TO SCALE	ArconaTech

TITLE	NAME	DATE
DRAWN	F. ESTABAYA	16.10.2020
DESIGN	S. TIEU	16.10.2020
CHECKED	M. CHEN	16.10.2020

CO-ORDINATE SYSTEM	HEIGHT DATUM
MGA ZONE 56	AHD

CLIENT	PREPARED FOR
CITY OF RYDE COUNCIL	CITY OF RYDE COUNCIL

CITY OF RYDE COUNCIL	PRIVATE LIGHTING BETWEEN FORD ST AND KENT RD SHRIMPTONS CREEK, NORTH RYDE LIGHTING CERTIFICATION - SOFTWARE OUT PUT	DOCUMENT No 21012B	ISSUE STATUS	SHEET No	ISSUE
			ISSUE FOR CONSTRUCTION	11	08