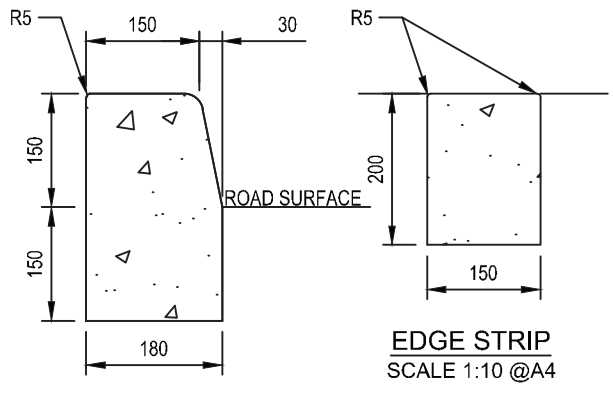
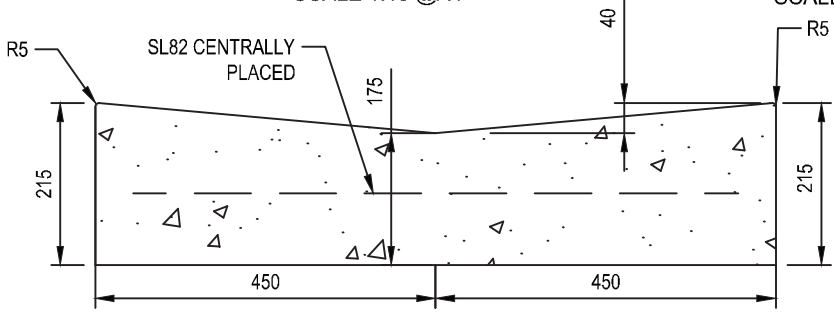


KERB AND GUTTER
SCALE 1:10 @A4

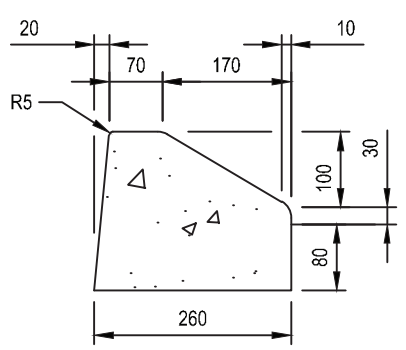


KERB ONLY
SCALE 1:10 @A4

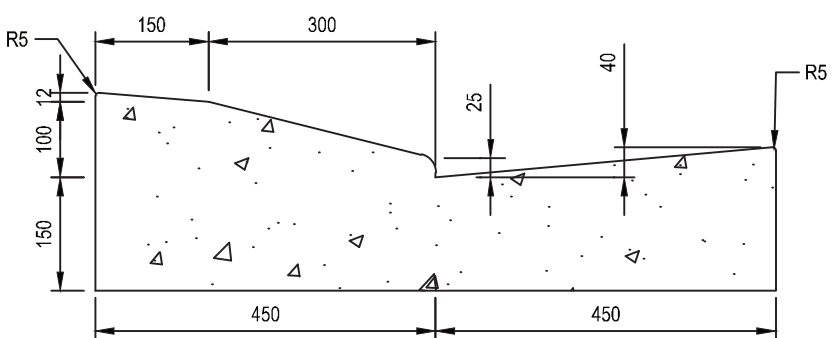
EDGE STRIP
SCALE 1:10 @A4



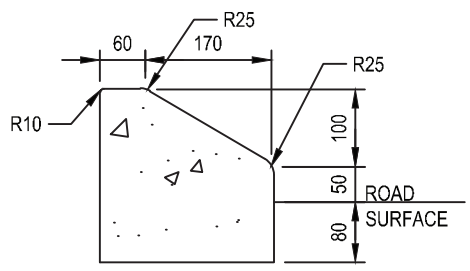
DISH CROSSING
SCALE 1:10 @A4



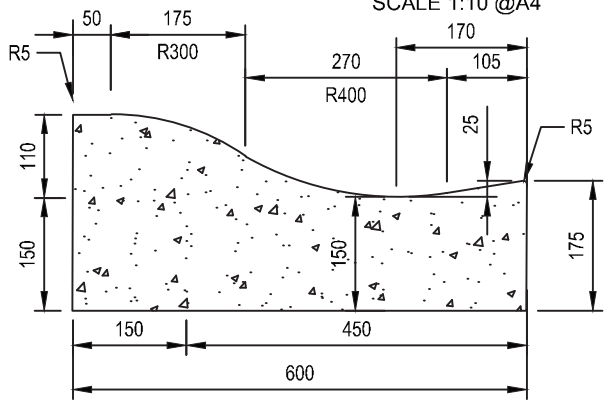
MEDIAN KERB
SCALE 1:10 @A4



MOUNTABLE KERB
SCALE 1:10 @A4



SEMI MOUNTABLE KERB PROFILE
Scale 1:10@A4



ROLL KERB
SCALE 1:10 @A4

NOTES:

1. ALL ROADSIDE KERBS SHALL BE LAID ON A MINIMUM 150mm THICKNESS COMPACTED APPROVED ROADBASE.
2. ALL CORNERS SHALL HAVE A 25mm RADIUS UNLESS NOTED OTHERWISE.
3. ALL KERBS, GUTTERS AND EDGE STRIPS SHALL BE STEEL FLOAT FINISHED.
4. EXPANSION JOINTS SHALL BE PROVIDED AND AT INTERVALS OF 6m ALONG STRAIGHT ALIGNMENT AND 3m ALONG CURVED ALIGNMENT. REFER TO CIV.11 FOR JOINT DETAIL.
5. CONCRETE SHALL HAVE A 28 DAY STRENGTH OF 25MPa MINIMUM.
6. CONCRETE SHALL BE PLACED WITH A MAXIMUM SLUMP OF 80mm.
7. REFER TO CIV.1.2.1 FOR ROAD RESTORATION DETAIL.
8. ALL DIMENSIONS IN MILLIMETRES UNLESS NOTED OTHERWISE.

COPYRIGHT © 2011 City of Ryde - ALL RIGHTS RESERVED
No part of this document shall be modified or reproduced without written permission.
Go to www.ryde.nsw.gov.au/disclaimer to view the Standard Drawings Disclaimer

COPYRIGHT © 2011 City of Ryde - ALL RIGHTS RESERVED - No part of this document shall be reproduced without written permission.



STANDARD DRAWING
STANDARD KERBS AND GUTTERS

APPROVED VP DESIGN MANAGER	DATE 21/06/18
DRAWING NUMBER CIV.1.1.1	REVISION E