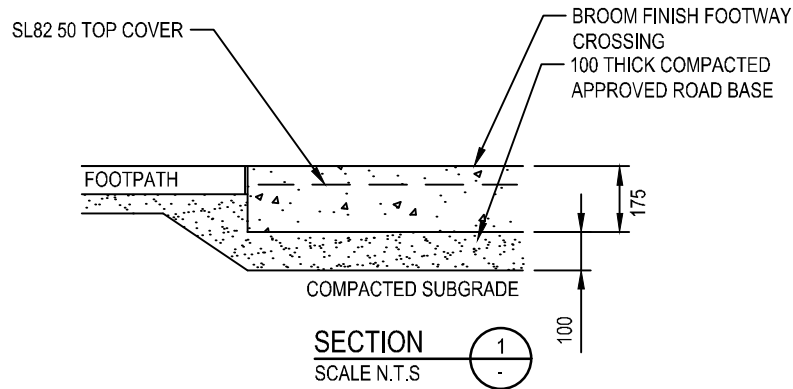


PLAN
SCALE N.T.S



SECTION
SCALE N.T.S

NOTES:

1. HEAVY DUTY LAYBACKS ARE TYPICALLY USED FOR ACCESSES TO MEDIUM TO LARGE COMMERCIAL AND INDUSTRIAL PROPERTIES.
2. REFER TO CIV.11 FOR JOINT DETAIL
3. CONCRETE EDGES SHALL BE FINISHED WITH AN EDGING TOOL.
4. CONCRETE SHALL HAVE A 28 DAY STRENGTH OF 25MPA MINIMUM.
5. CONCRETE SHALL BE PLACED WITH A MAXIMUM SLUMP OF 80MM.
6. MINIMUM CONCRETE COVER SHALL BE 40mm UNLESS NOTED OTHERWISE.
7. THE COUNCIL ENGINEER REQUIRES 24 HOURS NOTICE PRIOR TO POURING OF CONCRETE TO INSPECT THE FORMWORK. NO CONCRETE SHALL BE POURED UNTIL THE EXCAVATION AND FORMWORK HAVE BEEN INSPECTED.
8. REFER TO CIV.5 SERIES FOR STANDARD FOOTPATH DETAILS.
9. ALL DIMENSIONS IN MILLIMETRES UNLESS NOTED OTHERWISE .

COPYRIGHT © 2011 City of Ryde - ALL RIGHTS RESERVED
 No part of this document shall be modified or reproduced without written permission.
 Go to www.ryde.nsw.gov.au/disclaimer to view the Standard Drawings Disclaimer



STANDARD DRAWING
**HEAVY DUTY
 FOOTWAY CROSSING**

APPROVED VP DESIGN MANAGER	DATE 21/06/18
DRAWING NUMBER CIV.4.4	REVISION D