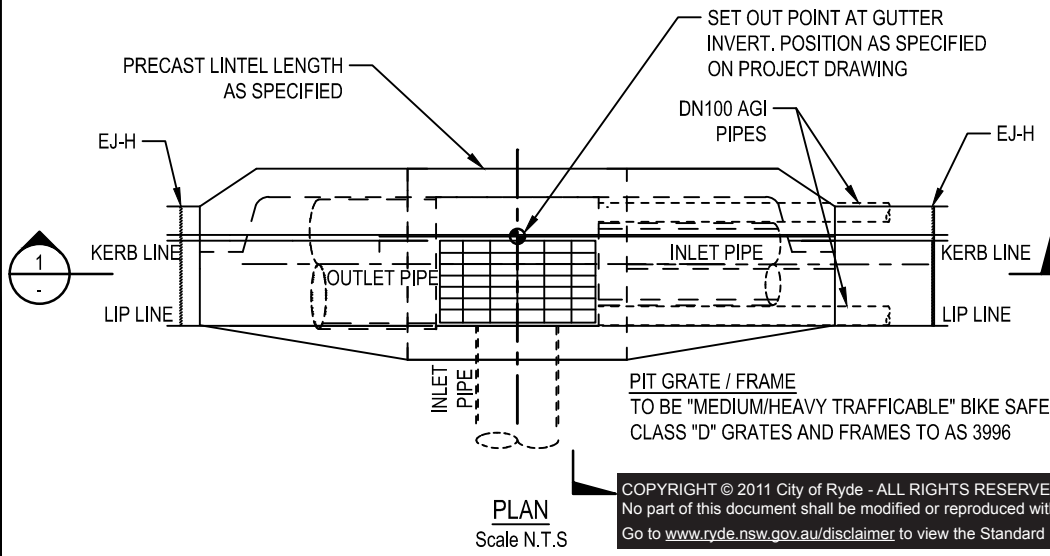


**NOTES**

1. ALL GRATED KERB INLET PITS SHALL BE PROVIDED WITH AN INLET AS SPECIFIED ON DESIGN DRAWINGS ON THE HIGHER SIDE OF THE PIT.
2. STEP IRONS TO BE PROVIDED FOR PITS DEEPER THAN 1000mm AND PLACED ON A WALL CLEAR OF FLOW WHERE POSSIBLE REFER TO SWD.5.1.1 FOR DETAIL.
3. THE COMPRESSIVE STRENGTH OF ALL CONCRETE USED SHALL BE 25MPa AT 28 DAYS.
4. REFER TO SWD.9.1.1 FOR MINIMUM PIPE COVER.
5. ALL INTERNAL PIT CORNERS TO BE PROVIDED WITH BENCHING OR 30 RADIUS TO IMPROVE FLOW.
6. WHERE DEPTH EXCEEDS 1200mm WALLS TO BE REINFORCED IN ACCORDANCE WITH THE TABLE SHOWN BELOW.
7. SELECTED GRANULAR MATERIAL BACKFILL SHALL BE PLACED TO FILL ALL EXCAVATED VOIDS. (REFER TO AS 3725-2007)
8. DN100 AGI DRAINAGE PIPE 3.0m LONG WRAPPED IN FABRIC SOCK TO BE PLACED ADJACENT TO INLET PIPES ON BOTH SIDES AND 100mm MINIMUM ABOVE PIT FLOOR.
9. SURROUND SUBSOIL DRAINAGE PIPE/AGLINE WITH 7mm CLEAN BLUE METAL.
10. REFER TO CIV.11 FOR JOINT DETAILS
11. 50mm MINIMUM CONCRETE COVER UNLESS NOTED OTHERWISE.
12. ALL DIMENSIONS ARE IN MILLIMETRES UNLESS NOTED OTHERWISE.



DEPTH TO INVERT "D"	WALL & BASE THICKNESS "T"	SPACING OF "N12" WALL & BASE REINFORCEMENT				
		MAXIMUM INTERNAL PLAN DIMENSION "W"				
0 - 1190	150	NIL.REINF.	200 CP	200 CP	200 CP	200 CP
0 - 1990	150	NIL.REINF.	200 CP	200 CP	200 CP	200 CP
2000 - 2490	200	200 CP	200 CP	200 CP	200 CP	200 CP

COPYRIGHT © 2011 City of Ryde - ALL RIGHTS RESERVED  
 No part of this document shall be modified or reproduced without written permission.  
 Go to [www.ryde.nsw.gov.au/disclaimer](http://www.ryde.nsw.gov.au/disclaimer) to view the Standard Drawings Disclaimer

CP DENOTES CENTRALLY PLACED

STANDARD DRAWING  
**STANDARD  
 KERB INLET  
 SAG PIT**

APPROVED VP DESIGN MANAGER	DATE 01/05/2017
DRAWING NUMBER SWD.1.2.1	REVISION E

ABN: 81 621 292 610  
 LEVEL 1, BUILDING 0, BINARY CENTRE, 3  
 RICHARDSON PLACE, NORTH RYDE NSW 2113  
 Locked Bag 2069  
 NORTH RYDE NSW 1670  
 Email: [cityofryde@ryde.nsw.gov.au](mailto:cityofryde@ryde.nsw.gov.au)  
 Web: [www.ryde.nsw.gov.au](http://www.ryde.nsw.gov.au)  
 Tel: (02) 9952 8222  
 Fax: (02) 9952 8070



COPYRIGHT © 2011 City of Ryde - ALL RIGHTS RESERVED - No part of this document shall be reproduced without written permission.