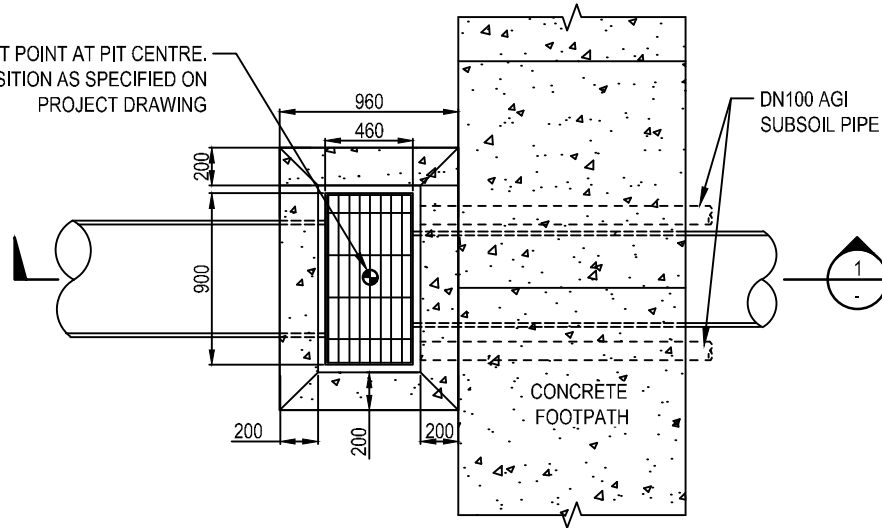
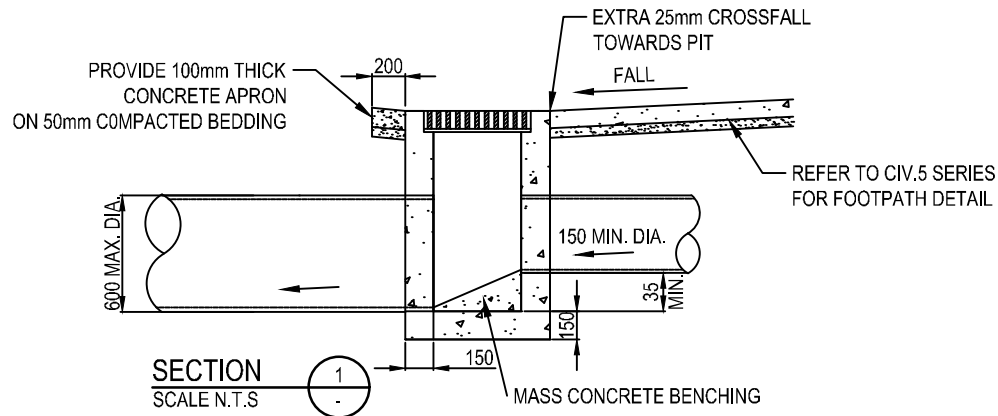


SET OUT POINT AT PIT CENTRE.  
POSITION AS SPECIFIED ON  
PROJECT DRAWING



**PLAN**  
Scale N.T.S



**SECTION**  
SCALE N.T.S

**PIT GRATE / FRAME**

HEEL AND BIKE SAFE CLASS "B" GRATES OR  
FRAMES TO AS 3996

**NOTES**

1. CONCRETE APRONS TO BE INCLUDED WHEN CONSTRUCTING ADJACENT TO CONCRETE PATHS.
2. SILT TRAPS ON INLET PITS SHALL ONLY BE PROVIDED AS DIRECTED BY THE SUPERINTENDENT.
3. ALL GRATED KERB INLET PITS (ON GRADE) SHALL BE PROVIDED WITH AN INLET AS SPECIFIED ON DESIGN DRAWINGS ON THE HIGHER SIDE OF THE PIT.
4. STEP IRONS TO BE PROVIDED FOR PITS DEEPER THAN 1000mm AND PLACED ON A WALL CLEAR OF FLOW WHERE POSSIBLE REFER TO SWD.5.1.1 FOR DETAIL.
5. THE COMPRESSIVE STRENGTH OF ALL CONCRETE USED SHALL BE 25MPa AT 28 DAYS.
6. REFER TO SWD.9.1.1 FOR MINIMUM PIPE COVER.
7. ALL INTERNAL PIT CORNERS TO BE PROVIDED WITH BENCHING OR 30 RADIUS TO IMPROVE FLOW.
8. WHERE DEPTH EXCEEDS 1200mm WALLS TO BE REINFORCED IN ACCORDANCE WITH THE TABLE SHOWN ON SWD.1.1.1
9. SELECTED GRANULAR MATERIAL BACKFILL SHALL BE PLACED TO FILL ALL EXCAVATED VOIDS. (REFER TO AS 3725-2007)
10. DN100 AGI DRAINAGE PIPE 3.0m LONG WRAPPED IN FABRIC SOCK TO BE PLACED ADJACENT TO INLET PIPES ON BOTH SIDES AND 100mm MINIMUM ABOVE PIT FLOOR. SURROUND SUBSOIL DRAINAGE PIPE/AGLINE WITH 7mm CLEAN BLUE METAL.
11. 50mm MINIMUM CONCRETE COVER UNLESS NOTED OTHERWISE.
12. ALL DIMENSIONS ARE IN MILLIMETRES UNLESS NOTED OTHERWISE (U.N.O.)

COPYRIGHT © 2011 City of Ryde - ALL RIGHTS RESERVED  
No part of this document shall be modified or reproduced without written permission.  
Go to [www.ryde.nsw.gov.au/disclaimer](http://www.ryde.nsw.gov.au/disclaimer) to view the Standard Drawings Disclaimer



ABN: 81 621 292 610  
LEVEL 1, BUILDING 0, BINARY CENTRE, 3  
RICHARDSON PLACE, NORTH RYDE NSW 2113  
Locked Bag 2069  
NORTH RYDE NSW 1670  
Email: [cityofryde@ryde.nsw.gov.au](mailto:cityofryde@ryde.nsw.gov.au)  
Web: [www.ryde.nsw.gov.au](http://www.ryde.nsw.gov.au)  
Tel: (02) 9952 8222  
Fax: (02) 9952 9070

STANDARD DRAWING  
**STANDARD FOOTPATH  
SURFACE INLET PIT**

APPROVED VP DESIGN MANAGER	DATE 18/12/17
DRAWING NUMBER	REVISION
<b>SWD.1.6.1</b>	<b>D</b>

COPYRIGHT © 2011 City of Ryde - ALL RIGHTS RESERVED - No part of this document shall be reproduced without written permission.