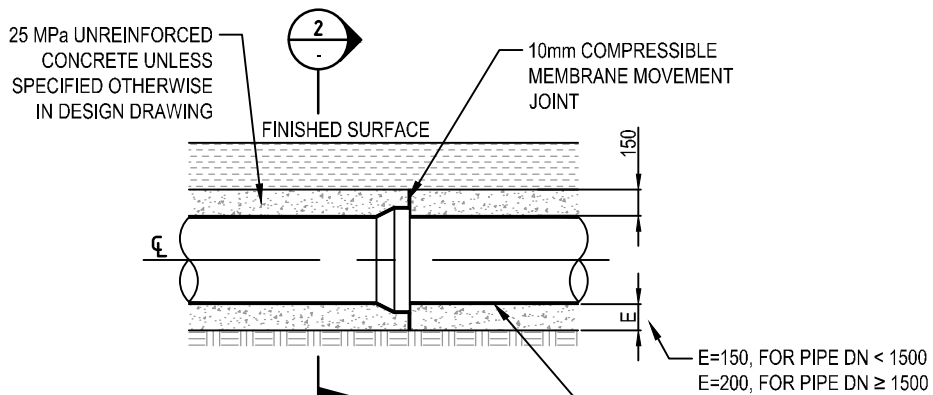
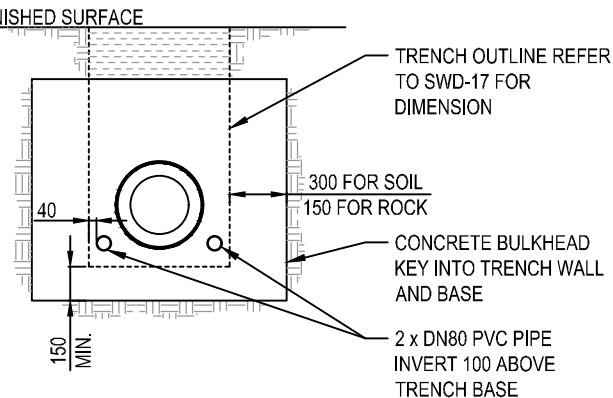


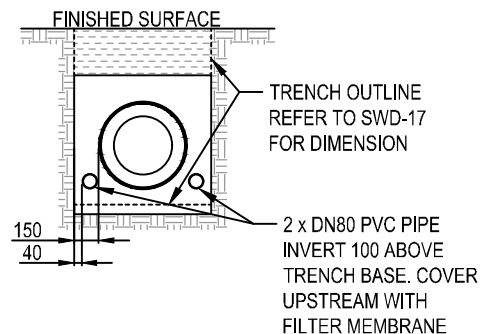
TYPICAL CONCRETE BULKHEAD DETAIL
Scale N.T.S



TYPICAL CONCRETE ENCASED PIPE
Scale N.T.S



SECTION 1
SCALE N.T.S



SECTION 2
SCALE N.T.S

NOTES:

1. KEY CONCRETE BULKHEADS INTO SIDES AND BOTTOM OF TRENCH AGAINST A BEARING SURFACE OF UNDISTURBED SOIL.
2. MINIMUM STRENGTH OF CONCRETE SHALL BE 25MPa AFTER 28 DAYS.
3. CONCRETE SHALL BE PLACED WITH A MAXIMUM SLUMP OF 80mm.
4. COMPRESSIBLE MEMBRANE TO BE 10 THICK POLYSTYRENE.
5. FOR SLOPES >30% CONTINUOUSLY ENCASE THE PIPE IN CONCRETE TO PREVENT MOVEMENT AND TRANSFER OF GROUND WATER. JOINTS TO BE WRAPPED WITH GEOTEXTILE FABRIC TO PREVENT DAMAGE TO RUBBER RING JOINT.
6. ALL DIMENSIONS IN MILLIMETRES UNLESS NOTED OTHERWISE.

COPYRIGHT © 2011 City of Ryde - ALL RIGHTS RESERVED
No part of this document shall be modified or reproduced without written permission.
Go to www.ryde.nsw.gov.au/disclaimer to view the Standard Drawings Disclaimer

COPYRIGHT © 2011 City of Ryde - ALL RIGHTS RESERVED - No part of this document shall be reproduced without written permission.



ABN: 81 621 292 610
LEVEL 1, BUILDING 0, BINARY CENTRE, 3 RICHARDSON PLACE, NORTH RYDE NSW 2113
Locked Bag 2069
NORTH RYDE NSW 1670
Email: cityofryde@ryde.nsw.gov.au
Web: www.ryde.nsw.gov.au
Tel: (02) 9952 8222
Fax: (02) 9952 8070

STANDARD DRAWING
CONCRETE BULKHEAD AND PIPE ENCASEMENT DETAIL

APPROVED VP DESIGN MANAGER	DATE 24/06/16
DRAWING NUMBER	REVISION
SWD.10.1.1	A