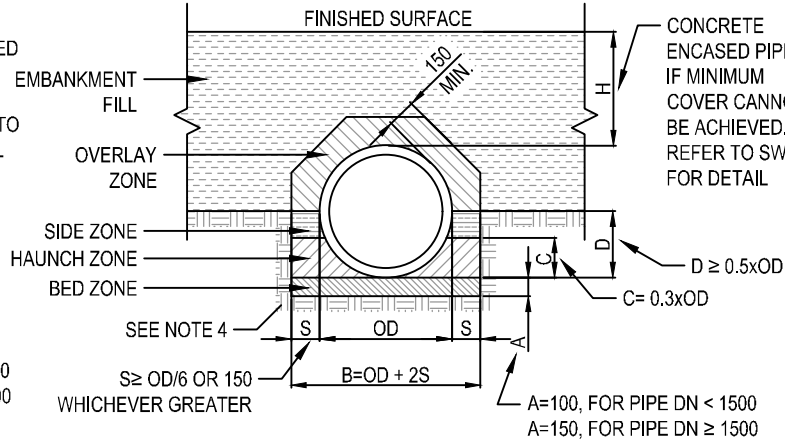


TYPICAL PIPE INSTALLATION TRENCH

DETAIL
Scale N.T.S



TYPICAL PIPE INSTALLATION EMBANKMENT DETAIL

Scale N.T.S

NOTES:

- ALL PIPE SHALL BE REINFORCED CONCRETE RUBBER RING JOINT (BELL SOCKET) PIPE U.N.O.
- PIPE INSTALLATION SHALL BE IN ACCORDANCE WITH AS/NZS 3725:2007 DESIGN FOR INSTALLATION OF BURIED CONCRETE PIPE.
- THE TRENCH SHALL BE OVER-EXCAVATED IF REQUIRED TO REMOVE ANY UNSUITABLE MATERIAL AND REFILLED WITH COMPACTED MATERIAL CONFORMING TO THE REQUIREMENTS FOR THE BED ZONE.
- ALL COMPACTION LAYER SHALL NOT EXCEED 150mm. COMPACTION ACHIEVED SHALL BE MONITORED BY FIELD TESTING IN ACCORDANCE WITH AS 1289.
- PROVIDE CONCRETE BULKHEAD FOR PIPE SLOPES > 15%. REFER TO SWD.10.1.1 FOR DETAIL.
- ALL DIMENSIONS IN MILLIMETRES UNLESS NOTED OTHERWISE.

ZONE DETAIL:

BED ZONE: IMPORTED MATERIAL OR EXCAVATED MATERIAL WITH PARTICLE SIZE NOT GREATER THAN 19mm AND CONFORMS WITH THE FOLLOWING SOIL CLASSES:

SIEVE SIZE (mm)	19.0	2.36	0.60	0.30	0.15	0.075
% MASS PASSING	100	100-50	90-20	60-10	25-0	10-0

THE MATERIAL PASSING THE 0.075mm SIEVE MUST HAVE LOW PLASTICITY AS DESCRIBED IN APPENDIX D OF AS 1726. COMPACTION BY TAMPING, ROLLING AND/OR VIBRATION TO A MINIMUM DENSITY INDEX OF 60.

HAUNCH ZONE: FILL MATERIAL COMPLYING WITH THE REQUIREMENTS SHOWN ABOVE FOR THE BED ZONE. COMPACTION BY SATURATION AND VIBRATION TO ACHIEVE A MINIMUM DENSITY INDEX OF 60.

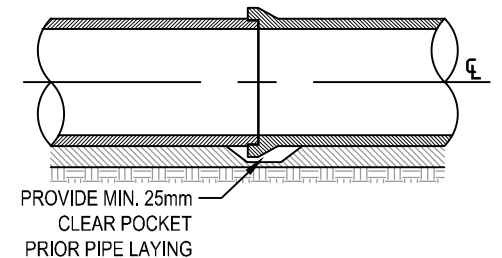
SIDE ZONE: IMPORTED MATERIAL OR EXCAVATED MATERIAL WITH PARTICLE SIZE NOT GREATER THAN 19mm AND CONFORMS WITH THE FOLLOWING SOIL CLASSES:

SIEVE SIZE (mm)	75	9.5	2.36	0.60	0.075
% MASS PASSING	100	100-50	100-30	50-15	25-0

OVERLAY ZONE: COMPACTION BY TAMPING, ROLLING OR VIBRATION TO A MINIMUM RELATIVE DENSITY OF 90% OR A MINIMUM DENSITY INDEX OF 60. FILL MATERIAL FROM EXCAVATED TRENCH SHALL NOT CONTAIN ANY STONES LARGER THAN 150mm, NOR MORE THAN 20% WITH A SIZE BETWEEN 75mm AND 150mm. COMPACTION BY TAMPING, ROLLING OR VIBRATION TO A MINIMUM DENSITY INDEX OF 60.

BACKFILL/EMBANKMENT FILL: MATERIAL FROM EXCAVATED TRENCH COMACTED TO PREVENT EXCESSIVE SETTLEMENT IN THE GROUND SURFACE LEVEL. FOR ROAD RESTORATION REFER TO CIV.14 FOR DETAIL.

MINIMUM COVER 'H'		
	ROADWAY	NON ROADWAY
PIPE CLASS	COVER (mm)	COVER (mm)
CLASS 2	650	400
CLASS 3	450	400
CLASS 4	400	400



TYPICAL PIPE JOINT DETAIL

Scale N.T.S

COPYRIGHT © 2011 City of Ryde - ALL RIGHTS RESERVED
No part of this document shall be modified or reproduced without written permission.
Go to www.ryde.nsw.gov.au/disclaimer to view the Standard Drawings Disclaimer



ABN: 81 621 292 610
LEVEL 1, BUILDING 0, BINARY CENTRE, 3 RICHARDSON PLACE, NORTH RYDE NSW 2113
Locked Bag 2069
NORTH RYDE NSW 1670
Email: cityofryde@ryde.nsw.gov.au
Web: www.ryde.nsw.gov.au
Tel: (02) 9952 8222
Fax: (02) 9952 9070

STANDARD DRAWING
TYPICAL PIPE INSTALLATION DETAIL

APPROVED VP DESIGN MANAGER	DATE 24/06/16
DRAWING NUMBER SWD.9.1.1	REVISION A

COPYRIGHT © 2011 City of Ryde - ALL RIGHTS RESERVED - No part of this document shall be reproduced without written permission.