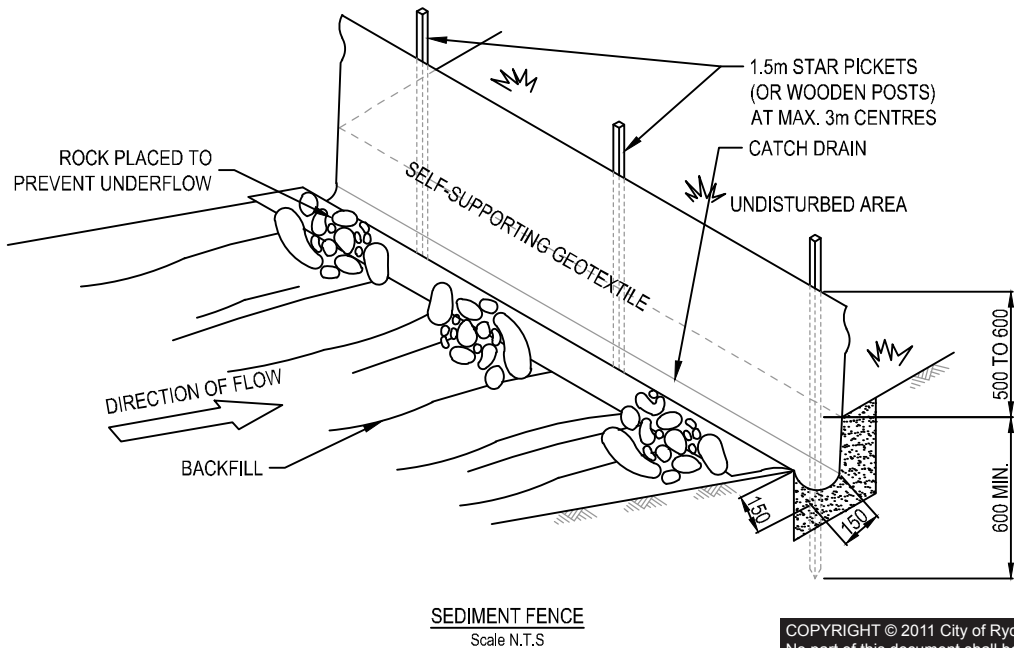
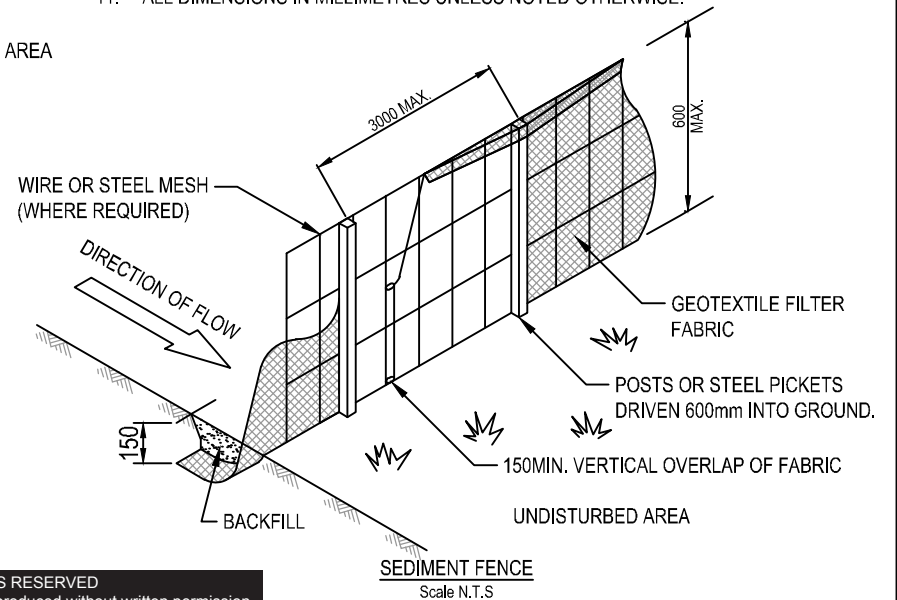


NOTES:

1. CONSTRUCT SEDIMENT CONTROL FENCE AS CLOSE AS POSSIBLE TO PARALLEL THE CONTOURS OF THE SITE WITH A MAXIMUM CATCHMENT AREA OF 0.6ha PER 100m LENGTH OF FENCE.
2. DRIVE 1.5m LONG STAR PICKETS OR WOODEN POSTS A MINIMUM OF 600mm INTO GROUND AT 3m INTERVALS.
3. DIG A 150mm DEEP TRENCH ALONG THE UPSLOPE LINE OF THE FENCE FOR THE BOTTOM OF THE FABRIC TO BE ENTRENCHED.
4. BACKFILL TRENCH OVER BASE OF FABRIC.
5. FIX SELF-SUPPORTING GEOTEXTILE FABRIC TO UPSLOPE SIDE OF POSTS WITH WIRE TIES OR AS RECOMMENDED BY THE MANUFACTURER.
6. JOIN SECTIONS OF FABRIC AT A SUPPORT POST WITH A 150mm OVERLAP.
7. GEOTEXTILE MATERIAL USED IS TO BE APPROPRIATE FOR SILT FENCE APPLICATIONS AND TO BE INSTALLED AS PER MANUFACTURER SPECIFICATIONS.
8. MAXIMUM SLOPE GRADIENT TO BE 1:2.
9. MAXIMUM SLOPE LENGTH TO BE 60m.
10. FIT STAR PICKETS WITH YELLOW SAFETY CAPS AFTER INSTALLATION.
11. ALL DIMENSIONS IN MILLIMETRES UNLESS NOTED OTHERWISE.



DISTURBED AREA



COPYRIGHT © 2011 City of Ryde - ALL RIGHTS RESERVED
No part of this document shall be modified or reproduced without written permission.
Go to www.ryde.nsw.gov.au/disclaimer to view the Standard Drawings Disclaimer

COPYRIGHT © 2011 City of Ryde - ALL RIGHTS RESERVED - No part of this document shall be reproduced without written permission.



ABN: 81 621 292 610
LEVEL 1, BUILDING 0, BINARY CENTRE, 3
RICHARDSON PLACE, NORTH RYDE NSW 2113
Locked Bag 2069
NORTH RYDE NSW 1670
Email: cityofryde@ryde.nsw.gov.au
Web: www.ryde.nsw.gov.au
Tel: (02) 9952 8222
Fax: (02) 9952 8070

STANDARD DRAWING
**SEDIMENT FENCE
AND SEDIMENT TRAP**

APPROVED VP DESIGN MANAGER	DATE 23/06/16
DRAWING NUMBER	REVISION
ESC.1	C