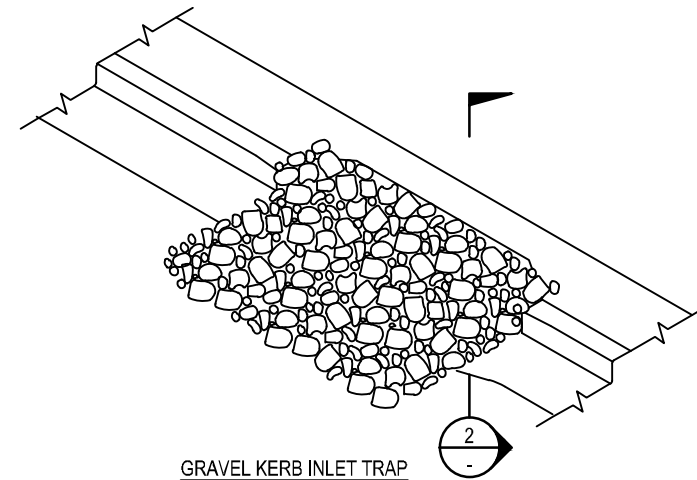
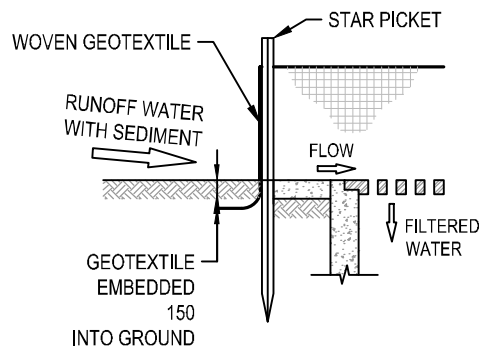


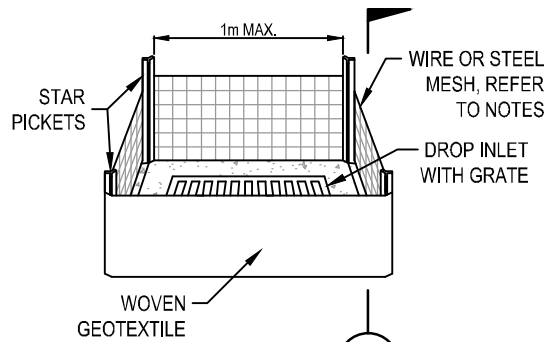
**KERB INLET SEDIMENT TRAP**  
Scale N.T.S



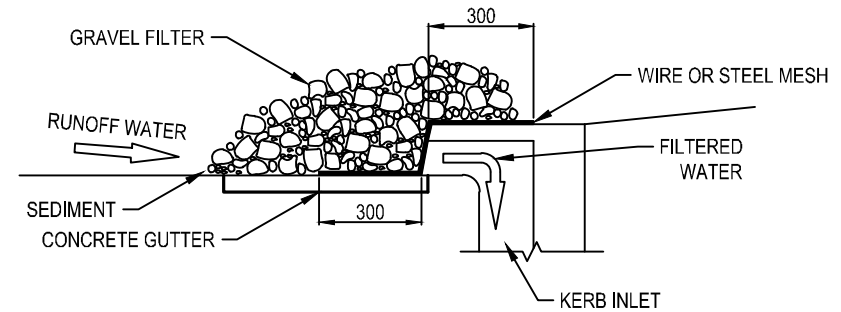
**GRAVEL KERB INLET TRAP**  
Scale N.T.S



**SECTION 1**  
SCALE N.T.S



**GEOTEXTILE INLET FILTER**  
Scale N.T.S



**SECTION 2**  
SCALE N.T.S

**NOTES:**

1. WHERE GEOTEXTILE IS NOT SELF-SUPPORTING, PROVIDE WIRE OR STEEL MESH (14 GAUGE X 150mm OPENINGS) TIED TO POSTS AT 1m CENTERS.
2. DO NOT COVER INLETS WITH GEOTEXTILE FABRIC.
3. FIT STAR PICKETS WITH YELLOW SAFETY CAPS AFTER INSTALLATION.
4. ALL DIMENSIONS IN MILLIMETRES UNLESS NOTED OTHERWISE (U.N.O)

**COPYRIGHT © 2011 City of Ryde - ALL RIGHTS RESERVED**  
No part of this document shall be modified or reproduced without written permission.  
Go to [www.ryde.nsw.gov.au/disclaimer](http://www.ryde.nsw.gov.au/disclaimer) to view the Standard Drawings Disclaimer



ABN: 81 621 292 610  
LEVEL 1, BUILDING 0, BINARY CENTRE, 3  
RICHARDSON PLACE, NORTH RYDE NSW 2113  
Locked Bag 2069  
NORTH RYDE NSW 1670  
Email: [cityofryde@ryde.nsw.gov.au](mailto:cityofryde@ryde.nsw.gov.au)  
Web: [www.ryde.nsw.gov.au](http://www.ryde.nsw.gov.au)  
Tel: (02) 9952 8222  
Fax: (02) 9952 8070

STANDARD DRAWING  
**KERB INLET  
SEDIMENT TRAPS**

APPROVED VP DESIGN MANAGER		DATE 23/06/16
DRAWING NUMBER	REVISION	
ESC.5	C	

COPYRIGHT © 2011 City of Ryde - ALL RIGHTS RESERVED - No part of this document shall be reproduced without written permission.