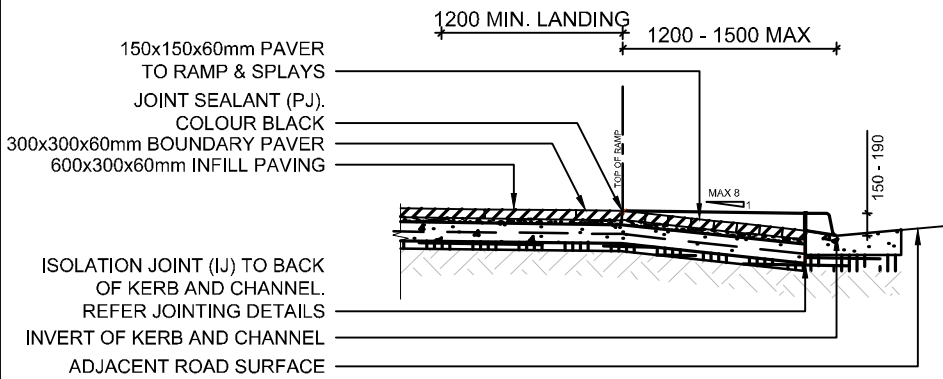
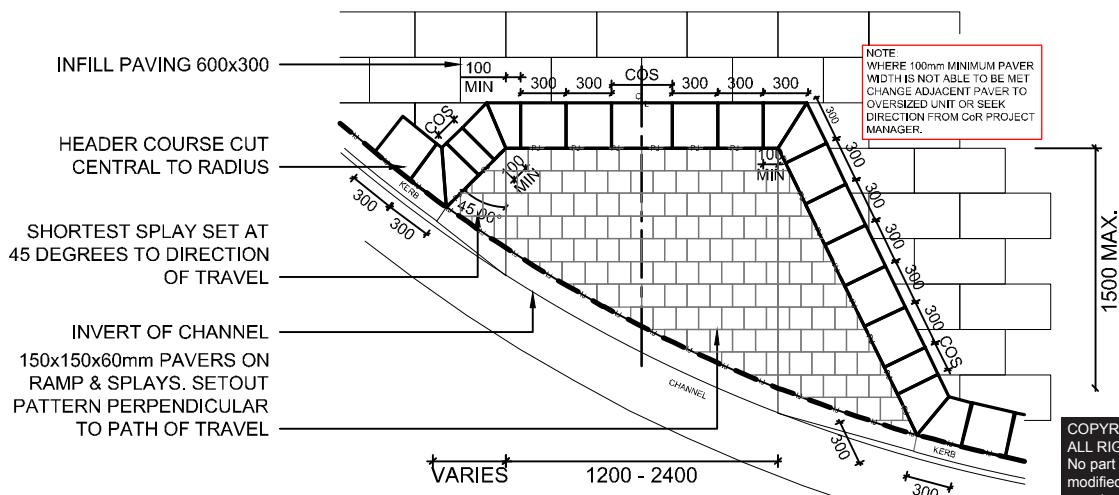


**PV 4.6.2** KERB RAMP 150mm x 150mm x 30mm GRANITE PLAN - TYPICAL  
SCALE 1:50 AT A4



**PV 4.6.3** KERB RAMP 150mm x 150mm x 60mm GRANITE - SECTION  
SCALE 1:50 AT A4



**PV 4.7.1** KERB RAMP ON CURVE 150mm x 150mm x 60mm GRANITE - TYPICAL PLAN  
SCALE 1:50 AT A4

COPYRIGHT © 2011 City of Ryde - ALL RIGHTS RESERVED  
No part of this document shall be modified or reproduced without written permission.  
Go to [www.ryde.nsw.gov.au/disclaimer](http://www.ryde.nsw.gov.au/disclaimer) to view the Standard Drawings Disclaimer



STANDARD DRAWING  
**KERB RAMP**  
150mm x 150mm x 60mm  
**GRANITE**

APPROVED VP DESIGN MANAGER	DATE 28/06/16
DRAWING NUMBER PV4.6.2PV4.6.3PV4.7.1	REVISION D