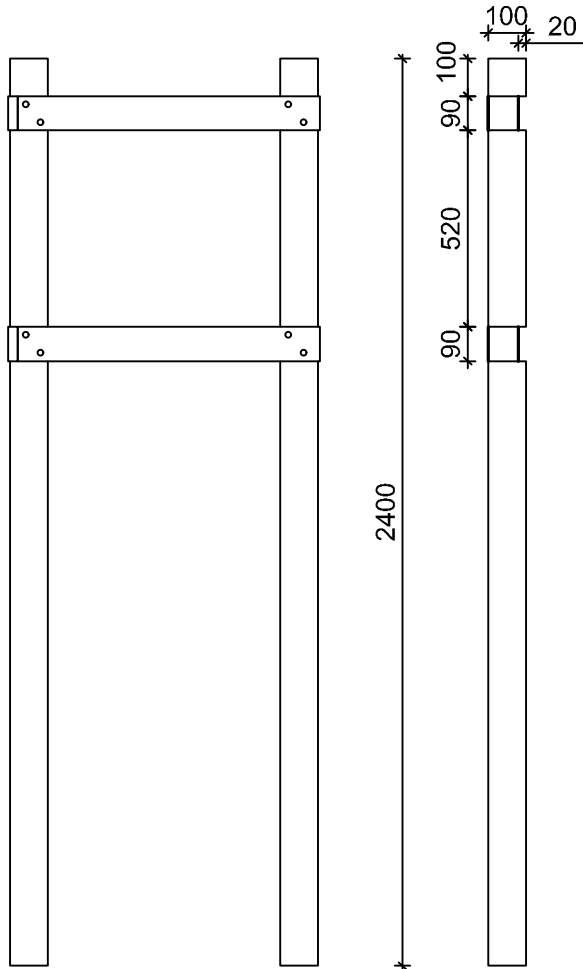
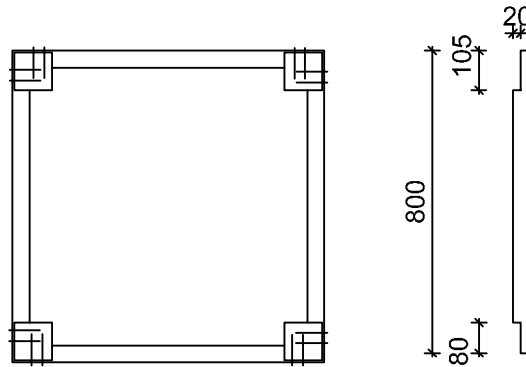


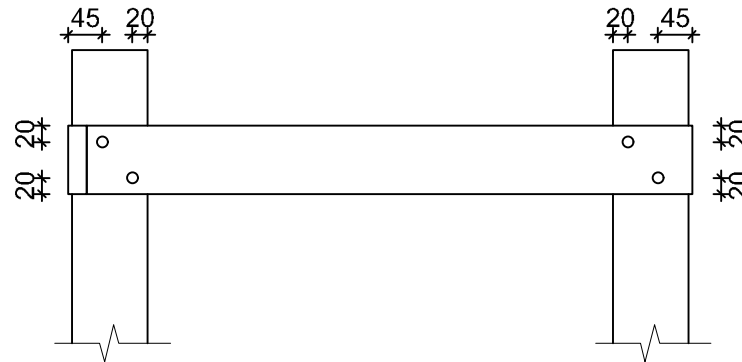
COPYRIGHT © 2011 City of Ryde - ALL RIGHTS RESERVED - No part of this document shall be reproduced without written permission.



PL 3.1 TREE GUARD - TYPICAL
SCALE 1:20 AT A4



PL 3.1.1 TREE GUARD FIXING DETAIL
SCALE 1:10 AT A4



COPYRIGHT © 2011 City of Ryde - ALL RIGHTS RESERVED
No part of this document shall be modified or reproduced without written permission.
Go to www.ryde.nsw.gov.au/disclaimer to view the Standard Drawings Disclaimer



ABN: 81 621 292 610
LEVEL 1, BUILDING 0, BINARY CENTRE, 3
RICHARDSON PLACE, NORTH RYDE NSW 2113
Locked Bag 2069
NORTH RYDE NSW 1670
Email: cityofryde@ryde.nsw.gov.au
Web: www.ryde.nsw.gov.au
Tel: (02) 9952 8222
Fax: (02) 9952 8070

STANDARD DRAWING
**TREE GUARD AND TREE GUARD
FIXING DETAIL TYPICAL**

APPROVED VP DESIGN MANAGER	DATE 22/06/16
DRAWING NUMBER	REVISION
PL3.1 & PL3.1.1	C