

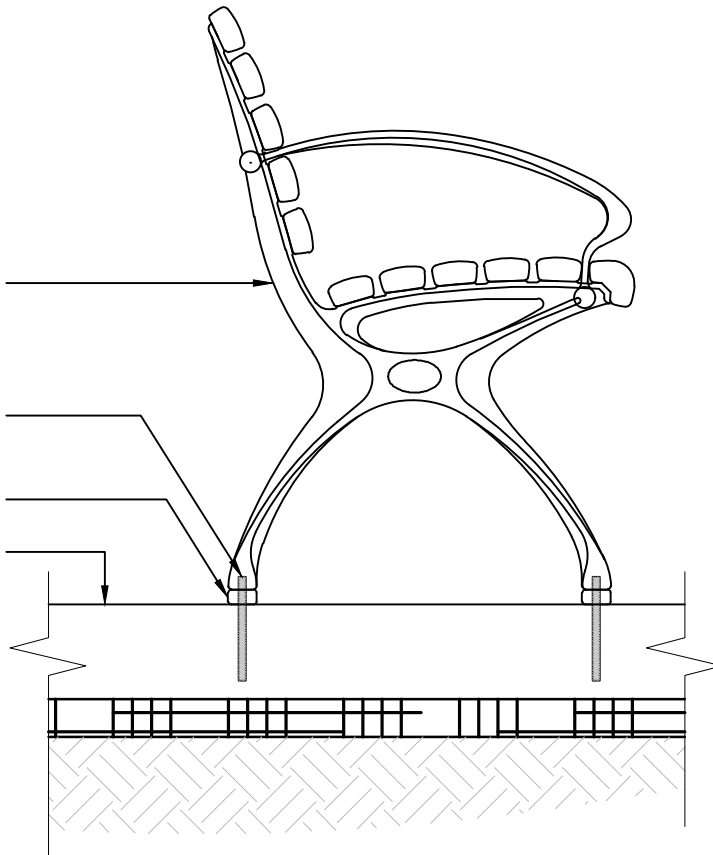
COPYRIGHT © 2011 City of Ryde - ALL RIGHTS RESERVED
 No part of this document shall be modified or reproduced without written permission.
 Go to www.ryde.nsw.gov.au/disclaimer to view the Standard Drawings Disclaimer

B&G URBAN SEAT 11, 1.8 - 2.4M LENGTH. INSTALL PLUMB WITH SUPPLIED LEVELING SHIMS

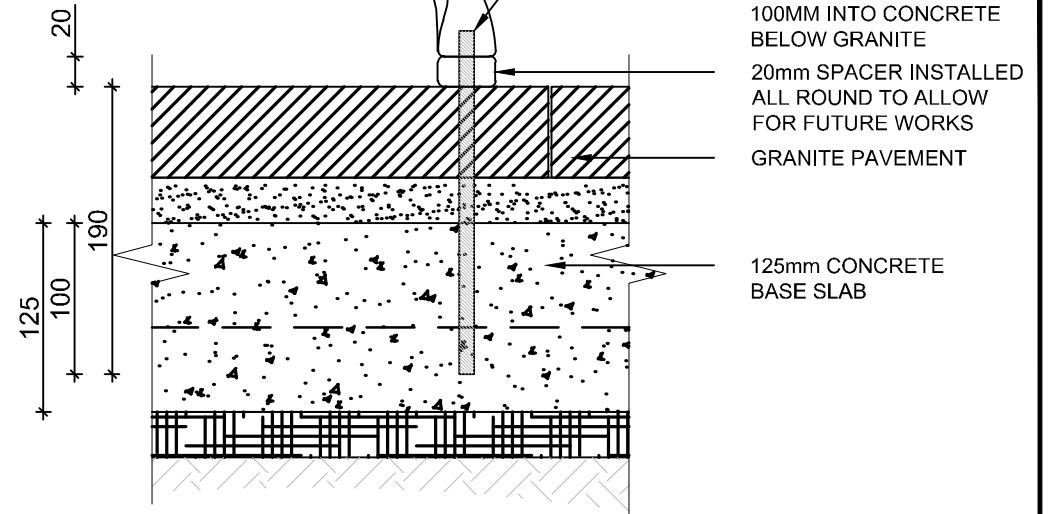
THREADED ROD CHEMSET 100mm INTO CONCRETE. WHERE PAVEMENT TYPE IS GRANITE - ROD SET 100mm INTO BASE SLAB

20mm SPACER INSTALLED ALL ROUND TO ALLOW FOR FUTURE WORKS

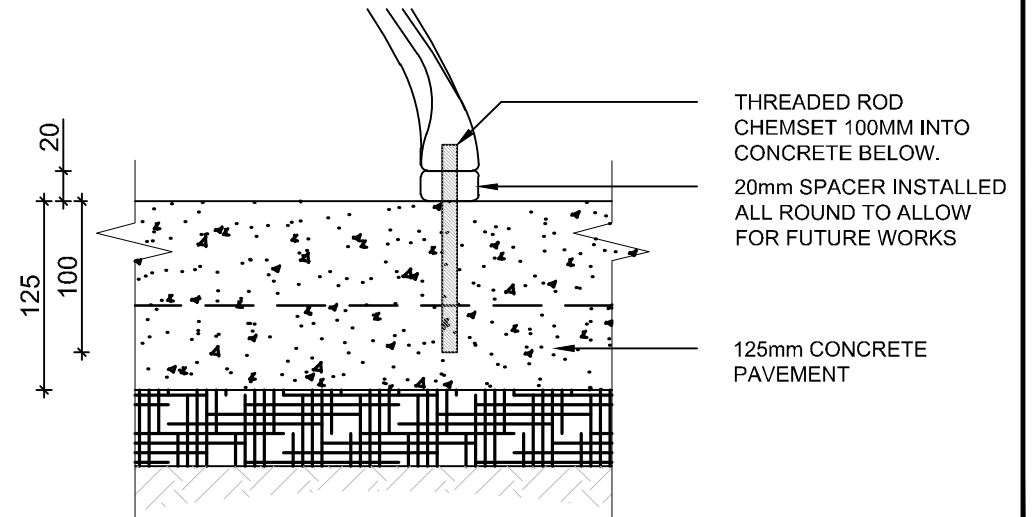
PAVEMENT TYPE VARIES. REFER FINISHES PLANS



SF 1.1 BENCH SEAT WITH BACK - TYPICAL
SCALE 1:10 AT A4



SF 1.1.2 BENCH SEAT FIXING ON GRANITE - TYPICAL
SCALE 1:5 AT A4



SF 1.1.1 BENCH SEAT FIXING ON 125mm CONCRETE - TYPICAL
SCALE 1:5 AT A4

COPYRIGHT © 2011 City of Ryde - ALL RIGHTS RESERVED - No part of this document shall be reproduced without written permission.



ABN: 81 621 292 610
 LEVEL 1, BUILDING 0, BINARY CENTRE, 3 RICHARDSON PLACE, NORTH RYDE NSW 2113
 Locked Bag 2069
 NORTH RYDE NSW 1670
 Email: cityofryde@ryde.nsw.gov.au
 Web: www.ryde.nsw.gov.au
 Tel: (02) 9952 8222
 Fax: (02) 9952 9070

STANDARD DRAWING
**STREET FURNITURE
 BENCH SEAT WITH BACK**

APPROVED VP DESIGN MANAGER	DATE 22/06/16
DRAWING NUMBER	REVISION
SF1.1, SF1.1.1&SF1.1.2	C