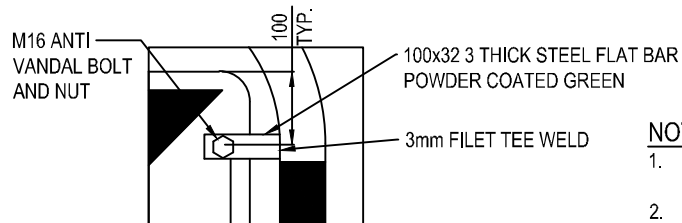


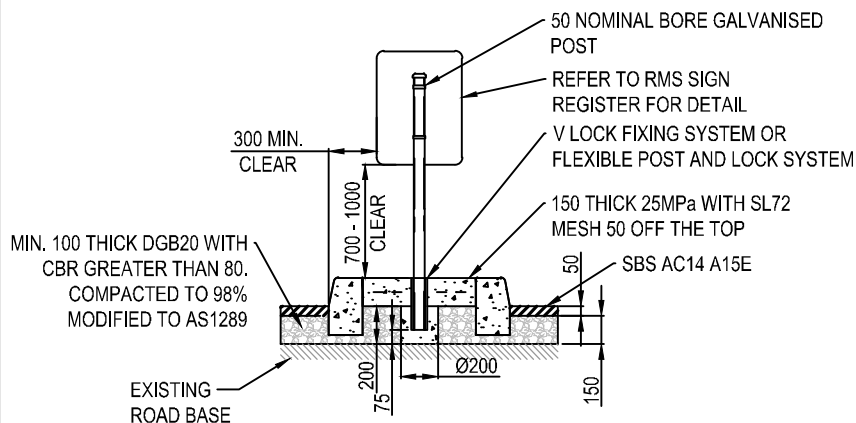
NON-TRAFFICABLE ISLAND
TYPICAL SECTION
 Scale N.T.S @ A4



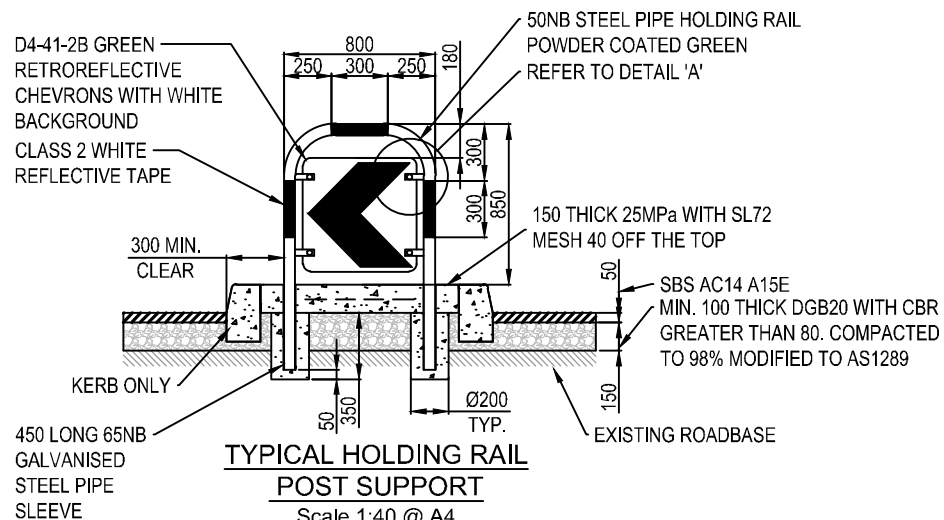
DETAIL 'A'
 Scale 1:10@A4

NOTES:

1. MINIMUM CONCRETE STRENGTH OF 25MPa AFTER 28 DAYS, UNLESS NOTED OTHERWISE.
2. KERB ONLY FROM CIV.1.1.1 TO BE USED AS A FIRST PREFERENCE OVER SEMI-MOUNTABLE KERB.
3. WELDING WORKMANSHIP AND MATERIAL TO BE IN ACCORDANCE WITH AS1554.1 :2011.
4. CONCRETE SHALL BE PLACED WITH A MINIMUM SLUMP OF 80mm.
5. ALL DIMENSIONS IN MILLIMETRES UNLESS NOTED OTHERWISE.



TYPICAL LOW LEVEL SIGN POST SUPPORT
 Scale N.T.S



TYPICAL HOLDING RAIL POST SUPPORT
 Scale 1:40 @ A4

COPYRIGHT © 2011 City of Ryde - ALL RIGHTS RESERVED
 No part of this document shall be modified or reproduced without written permission.
 Go to www.ryde.nsw.gov.au/disclaimer to view the Standard Drawings Disclaimer

COPYRIGHT © 2011 City of Ryde - ALL RIGHTS RESERVED - No part of this document shall be reproduced without written permission.



ABN: 81 621 292 610
 LEVEL 1, BUILDING 0, BINARY CENTRE, 3 RICHARDSON PLACE, NORTH RYDE NSW 2113
 Locked Bag 2069
 NORTH RYDE NSW 1670
 Email: cityofryde@ryde.nsw.gov.au
 Web: www.ryde.nsw.gov.au
 Tel: (02) 9952 8222
 Fax: (02) 9952 9070

STANDARD DRAWING
TYPICAL ISLAND AND SIGN INSTALLATION

APPROVED VP DESIGN MANAGER	DATE 06/02/2018
DRAWING NUMBER TM.14	REVISION A