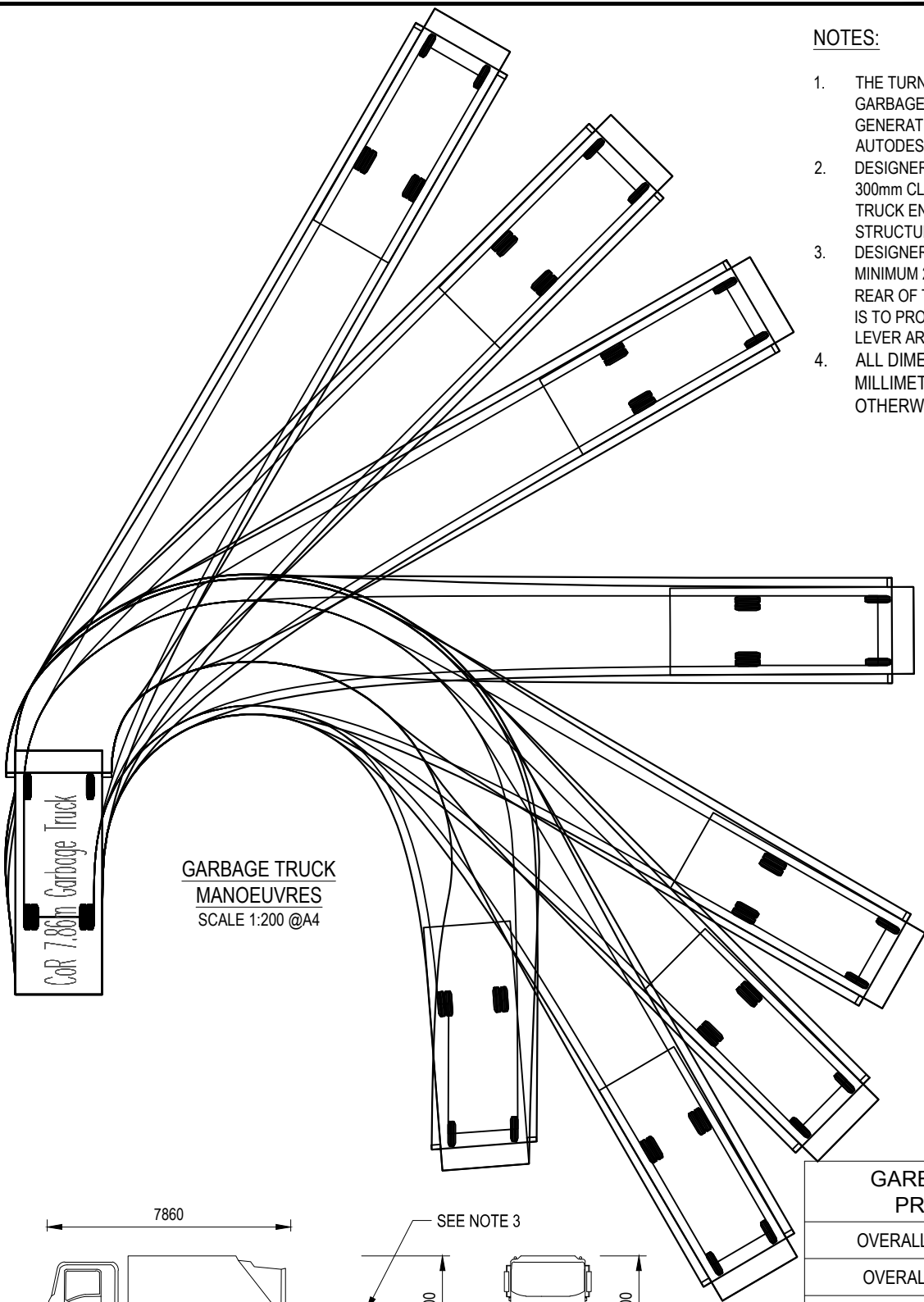
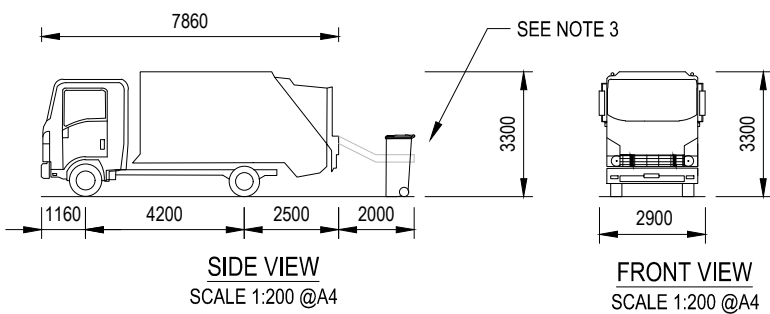


NOTES:

1. THE TURNING MANOEUVRES OF THE GARBAGE TRUCK HAVE BEEN GENERATED USING THE SOFTWARE AUTODESK VEHICLE TRACKING.
2. DESIGNER SHALL ALLOW FOR MINIMUM 300mm CLEARANCE BETWEEN THE TRUCK ENVELOP AND ANY PHYSICAL STRUCTURES.
3. DESIGNER SHALL ALLOW FOR A MINIMUM 2000mm CLEARANCE AT THE REAR OF THE TRUCK. THIS CLEARANCE IS TO PROVIDE SPACE FOR THE BIN LEVER ARM OPERATION.
4. ALL DIMENSIONS SHOWN ARE IN MILLIMETRES UNLESS NOTED OTHERWISE (U.N.O)



**GARBAGE TRUCK
MANOEUVRES**
SCALE 1:200 @A4



SIDE VIEW
SCALE 1:200 @A4

FRONT VIEW
SCALE 1:200 @A4

GARBAGE TRUCK PROPERTIES	
OVERALL LENGTH	7.86m
OVERALL WIDTH	2.8m
OVERALL BODY HEIGHT	3.3m
MIN BODY GROUND CLEARANCE	0.3m
TRACK WIDTH	2.25m
LOCK-TO-LOCK TIME	5.0s
CURB TO CURB TURNING RADIUS	8.5m