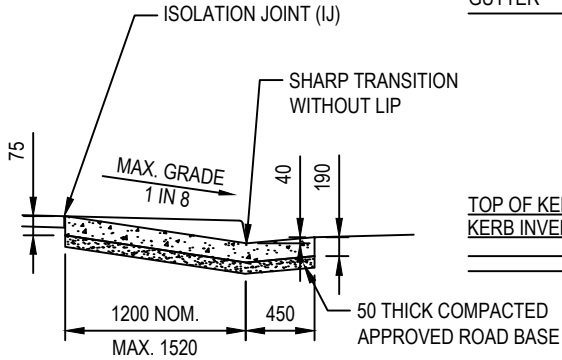
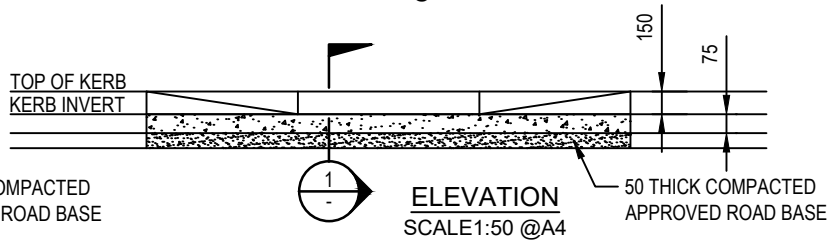


PLAN
SCALE 1:50 @A4

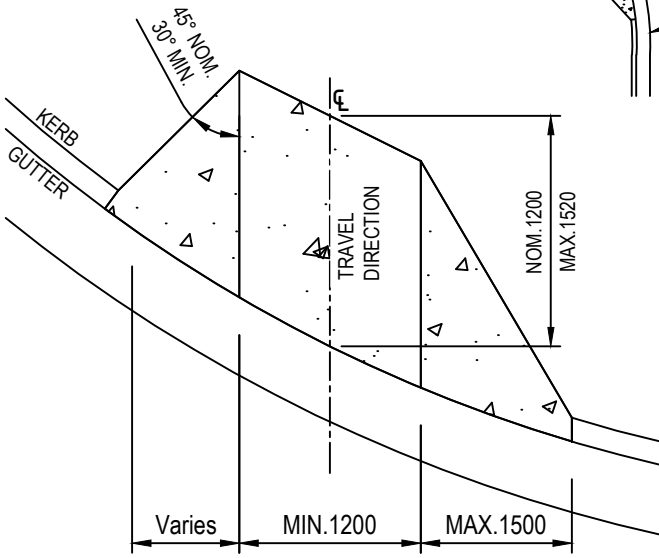
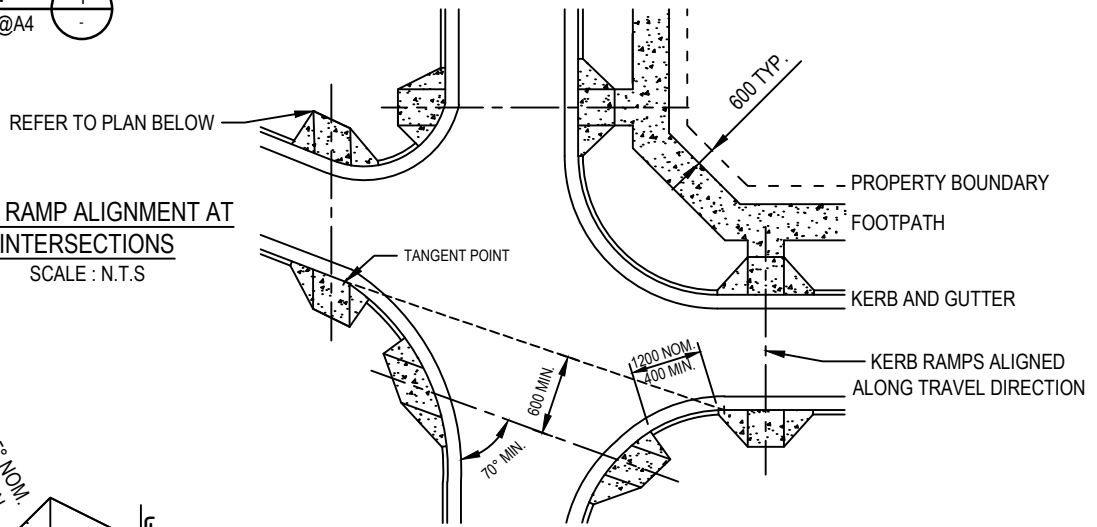


SECTION
SCALE 1:50 @A4



ELEVATION
SCALE 1:50 @A4

KERB RAMP ALIGNMENT AT INTERSECTIONS
SCALE : N.T.S



PLAN AT ANGLED INTERSECTION OR KERB
RADIUS
SCALE: N.T.S

NOTES:

1. KERB RAMPS SHALL CONSIST OF 75mm THICK BROOM FINISHED CONCRETE OVER 50mm THICK APPROVED ROADBASE.
2. THE GUTTER SHALL BE STEEL FLOAT FINISHED.
3. THE FOOTPATH AND KERB RAMP SHALL BE BROOM FINISHED. BROOM STRIPE SHALL BE PERPENDICULAR TO PEDESTRIAN TRAVEL DIRECTION.
4. REFER TO CIV.11 FOR JOINT DETAIL
5. KERB RAMPS SHALL BE ALIGNED WITH THE DIRECTION OF PEDESTRIAN TRAVEL.
6. CONCRETE SHALL HAVE A 28 DAY STRENGTH OF 25MPa MINIMUM.
7. CONCRETE SHALL BE PLACED WITH A MAXIMUM SLUMP OF 80mm.
8. REFER TO CIV.1.2.1 FOR ROAD RESTORATION DETAIL.
9. ALL DIMENSIONS IN MILLIMETRES UNLESS NOTED OTHERWISE.